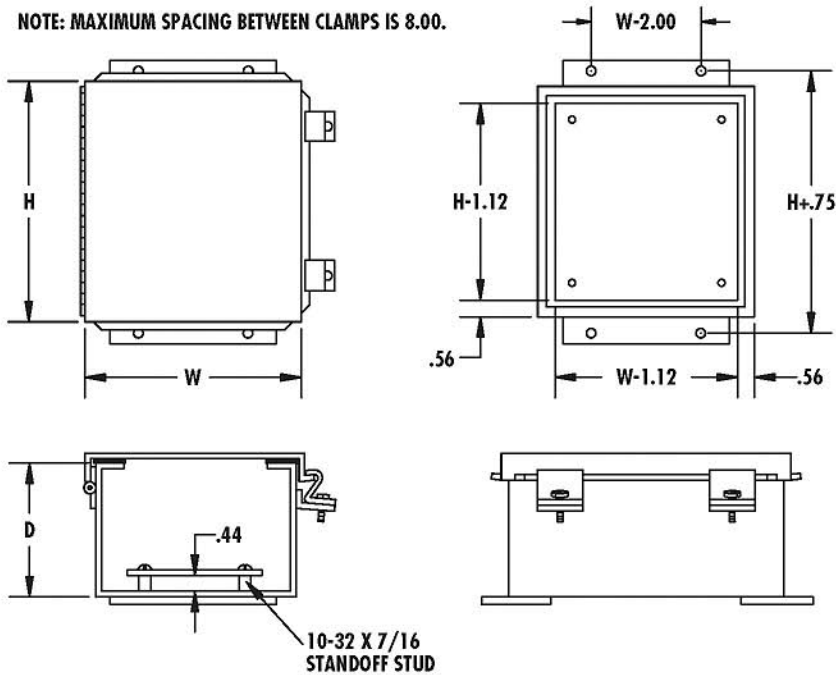


SMALL TYPE 12 JIC BOXES WITH CONTINUOUS HINGE - LESS PANEL



NOTE: MAXIMUM SPACING BETWEEN CLAMPS IS 8.00.



CONSTRUCTION:

- CODE GAUGE PAINT GRIP GALVANIZED STEEL
- SEAMS CONTINUOUSLY WELDED AND GROUND SMOOTH
- SCREW CLAMPS ARE QUICK AND EASY TO OPERATE
- CONTINUOUS HINGE
- OIL RESISTANT GASKET
- OPTIONAL PANEL

FINISH:

- ANSI 61 GRAY POLYESTER POWDER COATING INSIDE AND OUT

JIC BOXES TYPE 12 - CONTINUOUS HINGE			STEEL PANEL (WHITE)	
Enclosure Size HxWxD	Catalog Number	Weight	Catalog Number	Weight
* 4x4x3	JH443	2	N/A	N/A
6x4x3	JH643	3	64PJ	3
4x4x4	JH444	2	N/A	N/A
6x4x4	JH644	3	64PJ	3
6x6x4	JH664	4	66PJ	4
8x6x4	JH864	6	86PJ	6
8x8x4	JH884	7	88PJ	7
10x8x4	JH1084	8	108PJ	8
12x6x4	JH1264	8	126PJ	8
12x10x5	JH12105	12	1210PJ	12
10x8x6	JH1086	10	108PJ	10
10x10x6	JH10106	11	1010PJ	11
12x12x6	JH12126	15	1212PJ	15
14x12x6	JH14126	17	1412PJ	17
16x14x6	JH16146	20	1614PJ	20
12x10x8	JH12108	15	1210PJ	15
14x12x8	JH14128	19	1412PJ	19
16x14x8	JH16148	23	1614PJ	23
16x14x10	JH161410	26	1614PJ	26

NOTE: *Size not available with panel

NOTE: FOR QUICK RELEASE LATCH SEE ACCESSORIES SECTION

TYPE 12