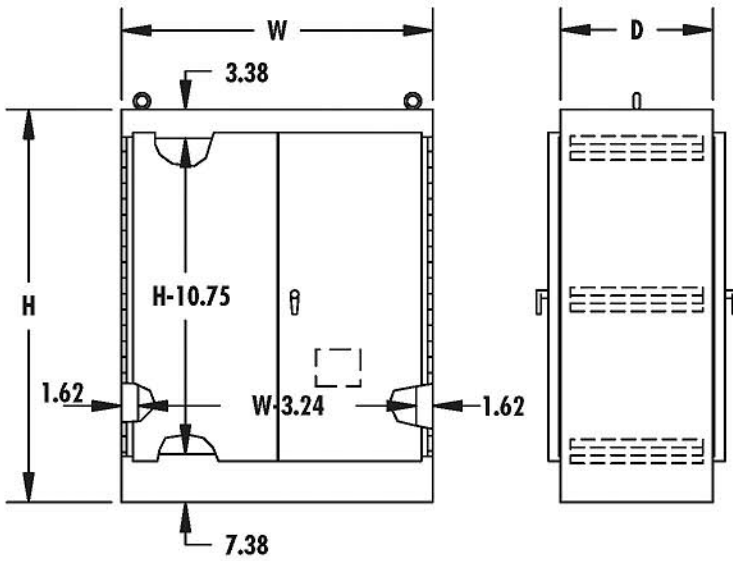




FREESTANDING-DOUBLE DOOR-DUAL ACCESS -TYPE 12 ENCLOSURES LESS PANEL

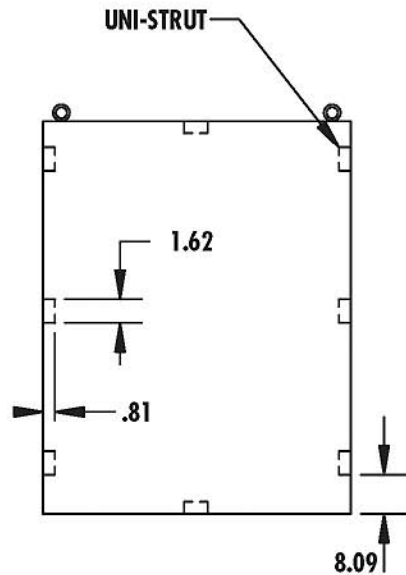


CONSTRUCTION:

- 12 GAUGE STEEL
- SEAMS CONTINUOUSLY WELDED AND GROUND SMOOTH
- GASKETED OVERLAPPING DOORS ELIMINATED FOR CENTER POST
- 3-POINT LATCHING MECHANISM OPERATED BY OIL-TIGHT KEY LOCKING HANDLE
- LATCH RODS HAVE ROLLERS FOR EASIER DOOR CLOSING
- HEAVY GAUGE CONTINUOUS HINGE
- HEAVY-DUTY LIFTING EYES
- REMOVABLE PRINT POCKET
- OIL RESISTANT GASKET
- UNI-STRUT PROVIDED FOR MOUNTING OPTIONAL PANEL

FINISH:

- ANSI 61 GRAY POLYESTER POWDER COATING INSIDE AND OUT



FREESTANDING-DOUBLE DOOR-DUAL ACCESS TYPE 12

STEEL PANEL (WHITE)

Enclosure Size HxWxD	Catalog Number	Weight Number	Catalog	Weight
72x48x24	DFDA724824N12	497	DF7248P	131
72x60x24	DFDA726024N12	645	DF7260P	158
72x72x24	DFDA727224N12	644	DF7272P	187
90x72x24	DFDA907224N12	762	DF9072P	238
72x60x36	DFDA726036N12	750	DF7260P	158

Note: Non-stocking items made per order. Once order is placed in production it cannot be cancelled.