



**L-HANDLE PADLOCKING**  
Catalog Number LHP



**L-HANDLE KEYLOCKING**  
Catalog Number LHK



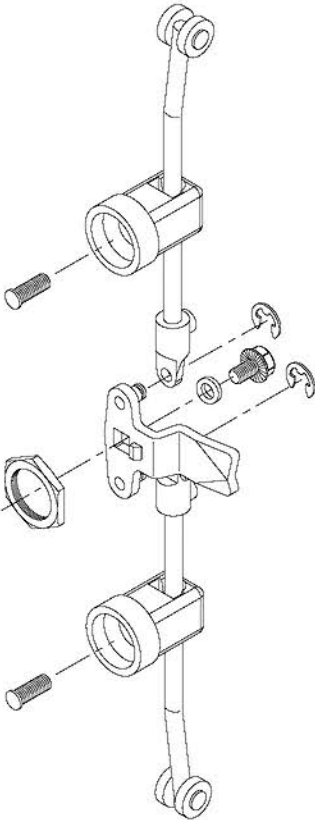
**HEAVY DUTY KEYLOCKING AND PADLOCKABLE L-HANDLE**  
Catalog Number LHKPL



**WING-KNOB KEYLOCKING**  
Catalog Number WKK



**T-HANDLE KEYLOCKING**  
Catalog Number THL



**THREE POINT LATCH**  
Catalog Number TPL-1  
Catalog Number TPL-12



**FLUSH BARRELL KEYLOCKING**  
Catalog Number FBK



**WING-KNOB PADLOCKING**  
Catalog Number WKPL



**TYPE 12 AND 4 STAINLESS STEEL QUICK RELEASE LATCH (JIC STYLE)**  
Catalog Number JQRL



**FLUSH BARRELL COINTURN**  
Catalog Number FBC



**HEAVY DUTY THREE POINT LATCH**  
Catalog Number ETPL-12



**TYPE 12 AND 4 STAINLESS STEEL QUICK RELEASE LATCH**  
Catalog Number N4QRL



**SINGLE POINT LATCH**  
Catalog Number SPL-1  
Catalog Number SPL-12