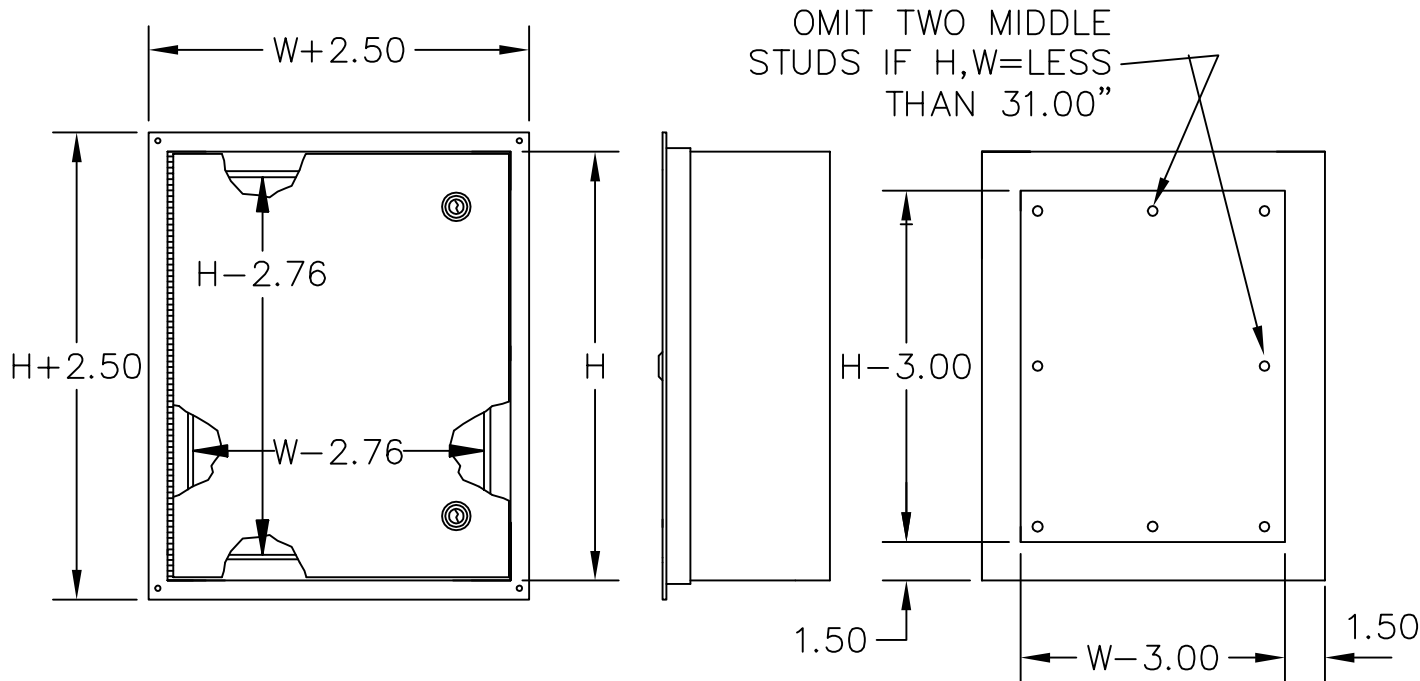


CATALOG#: FMN12

UL LISTED

CANADIAN UL LISTED



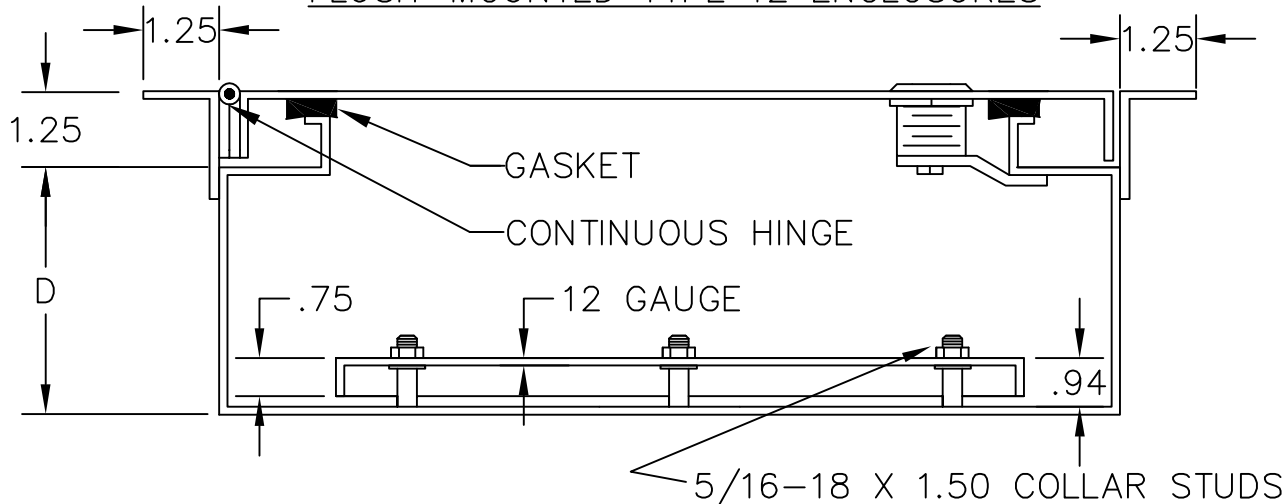
OMIT TWO MIDDLE STUDS IF H,W=LESS THAN 31.00"

CONSTRUCTION:
 -CODE GAUGE PAINT GRIP GALVANIZED STEEL.
 -SEAMS CONTINUOUSLY WELDED AND GROUND SMOOTH.
 -NEARLY FLUSH NONLOCKING LATCH, HOLDS DOOR SECURELY CLOSED.
 -OIL-RESISTANT GASKET.
 -STUDS PROVIDED FOR MOUNTING OPTIONAL PANEL.

FINISH:
 -ANSI 61 GRAY POLYESTER POWDER COATING INSIDE AND OUT.

-H-	-W-	-D-

FLUSH-MOUNTED TYPE 12 ENCLOSURES



APPROVAL:



E-BOX
 101 Air Park Industrial Road
 Alabaster, Alabama 35007
 Phone: (205)663-9189
 Fax: (205)663-9587

