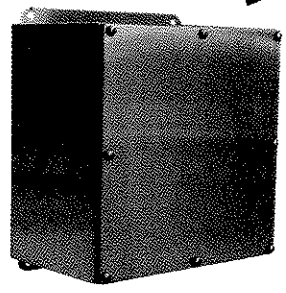
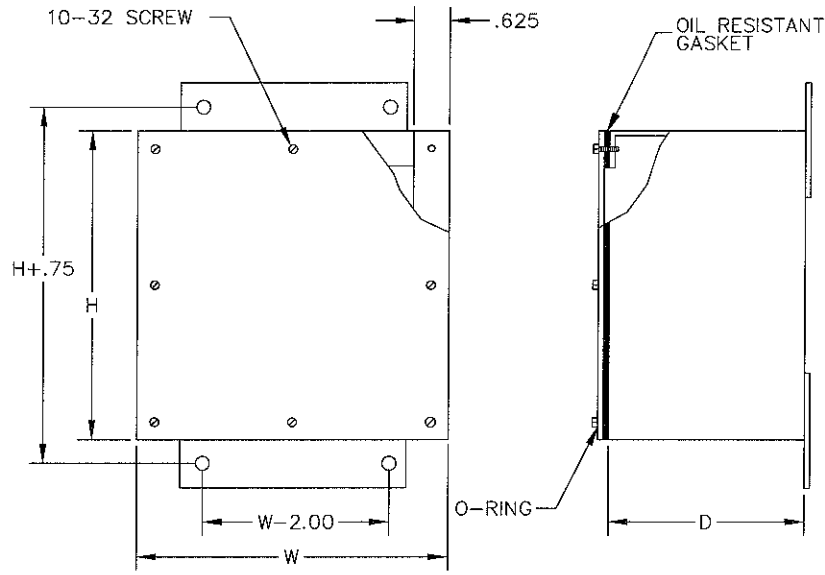


# TYPE 4X ALUMINUM SCREW COVER "GASKETED" BOXES



\*NOTE: THE MAXIMUM SPACING BETWEEN SCREWS IS 8.25".



- CONSTRUCTION:**
- TYPE 5052 H-32.080 ALUMINUM
  - SEAMS CONTINUOUSLY WELDED AND GROUND SMOOTH
  - REMOVABLE COVER FASTENED WITH STAINLESS STEEL SCREWS
  - PROVIDED WITH MOUNTING FEET
- FINISH:**
- ENCLOSURES HAVE BRUSHED FINISH

Enclosure Size HxWxD	Catalog Number	Weight
6x6x4	A864SGN4X	1.8
8x6x4	A864SGN4X	1.8
8x8x4	A884SGN4X	2.2
10x8x4	A1084SGN4X	2.6
10x10x4	A10104SGN4X	3
12x12x4	A12124SGN4X	4
8x8x6	A886SGN4X	2.8
10x8x6	A1086SGN4X	3.3
12x10x6	A12106SGN4X	4.3
12x12x6	A12126SGN4X	4.8
18x12x6	A18126SGN4X	7
24x18x6	A24186SGN4X	11
24x24x6	A24246SGN4X	14
12x12x8	A12128SGN4X	6
18x18x8	A18188SGN4X	9
24x24x8	A24248SGN4X	15

TYPE 4X

FOR LARGE QUANTITIES CALL FACTORY