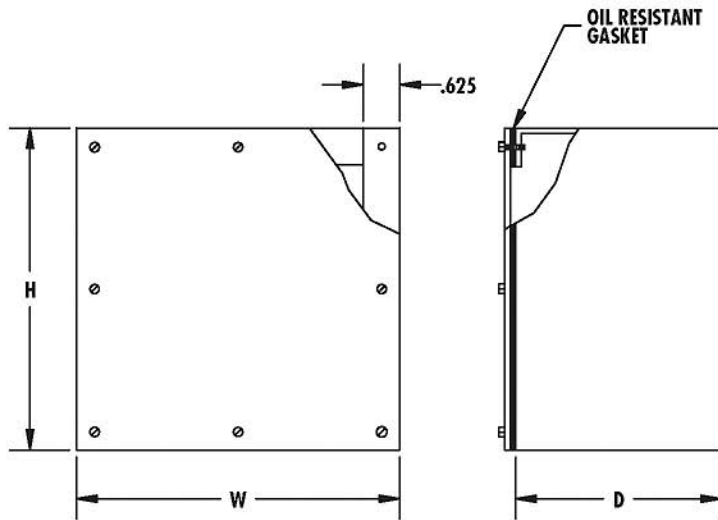


# TYPE 3 & TYPE 12 STAINLESS STEEL SCREW COVER "GASKETED" BOXES



### CONSTRUCTION:

- CODE GAUGE TYPE 304 STAINLESS STEEL
- SEAMS CONTINUOUSLY WELDED AND GROUND SMOOTH
- REMOVABLE COVER FASTENED WITH STAINLESS STEEL SCREWS
- PROVIDED WITH MOUNTING FEET

### FINISH:

- ENCLOSURES HAVE A BRUSHED FINISH

TYPE 3

Enclosure Size HxWxD	Catalog Number	Weight
4x4x4	S444SG	2
6x6x4	S664SG	3
8x6x4	S864SG	4
8x8x4	S884SG	5
10x10x4	S10104SG	7
10x8x4	S1084SG	6
12x10x4	S12104SG	8
12x12x4	S12124SG	10
6x6x6	S666SG	4
8x8x6	S886SG	6
10x10x6	S10106SG	8
12x12x6	S12126SG	11
15x12x6	S15126SG	13
15x15x6	S15156SG	15
18x18x6	S18186SG	20
24x18x6	S24186SG	26
24x24x6	S24246SG	39
8x8x8	S888SG	7
12x12x8	S12128SG	12
18x18x8	S18188SG	23
24x24x8	S24248SG	42
30x24x8	S30248SG	46
30x30x8	S30308SG	86
36x24x8	S36248SG	61
36x30x8	S36308SG	103
18x18x10	S181810SG	24
24x24x10	S242410SG	48
30x24x10	S302410SG	51
30x30x10	S303010SG	95
36x24x10	S362410SG	67
18x18x12	S181812SG	27
24x24x12	S242412SG	51
30x30x12	S303012SG	103
36x36x12	S363612SG	136

NOTE: For 316L Stainless Steel replace "SG" suffix with SG-6