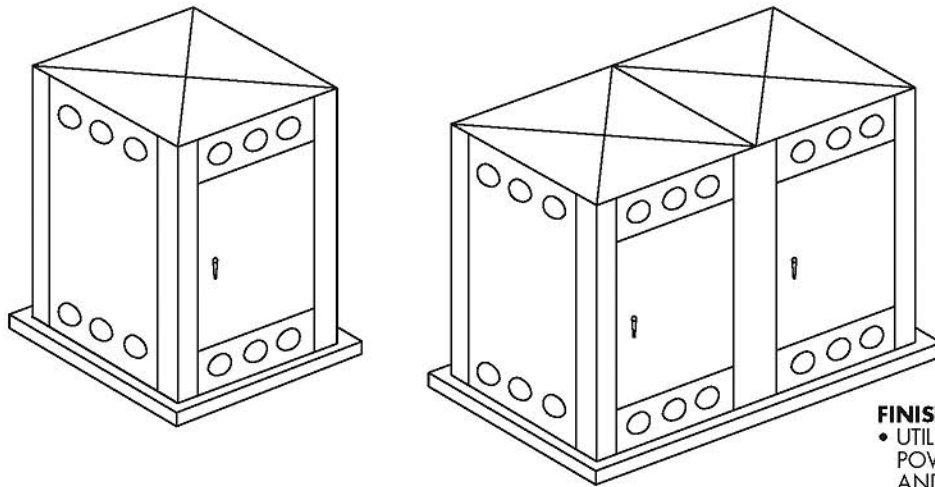


# NON UL LISTED TRANSFORMER HOUSING CABINETS



**FINISH:**  
 • UTILITY GREEN POLYESTER  
 POWDER COATING INSIDE  
 AND OUT

**TYPE  
3R**

## 42 INCH X 42 INCH WIDE SQUARE HOUSING

| Catalog Number | Weight | Catalog Number | Weight |
|----------------|--------|----------------|--------|
| 45-42-1 THC    | 444    | 51-42-1 THC    | 476    |
| 45-42-2 THC    | 758    | 51-42-2 THC    | 808    |
| 45-42-3 THC    | 1072   | 51-42-3 THC    | 1140   |
| 45-42-4 THC    | 1386   | 51-42-4 THC    | 1472   |
| 61-42-1 THC    | 514    | 71-42-1 THC    | 571    |
| 61-42-2 THC    | 854    | 71-42-2 THC    | 938    |
| 61-42-3 THC    | 1194   | 71-42-3 THC    | 1305   |
| 61-42-4 THC    | 1534   | 71-42-4 THC    | 1627   |

## 54 INCH X 54 INCH WIDE SQUARE HOUSING

| Catalog Number | Weight | Catalog Number | Weight |
|----------------|--------|----------------|--------|
| 61-54-1 THC    | 716    | 71-54-1 THC    | 771    |
| 61-54-2 THC    | 1886   | 71-54-2 THC    | 1282   |
| 61-54-3 THC    | 1690   | 71-54-3 THC    | 1792   |
| 61-54-4 THC    | 2192   | 71-54-4 THC    | 2304   |
| 81-54-1 THC    | 800    | 91-54-1 THC    | 885    |
| 81-54-2 THC    | 1348   | 91-54-2 THC    | 1436   |
| 81-54-3 THC    | 1697   | 91-54-3 THC    | 1987   |
| 81-54-4 THC    | 2412   | 91-54-4 THC    | 2538   |

## 66 INCH X 66 INCH WIDE SQUARE HOUSING

| Catalog Number | Weight | Catalog Number | Weight |
|----------------|--------|----------------|--------|
| 61-66-1 THC    | 889    | 71-66-1 THC    | 942    |
| 61-66-2 THC    | 998    | 71-66-2 THC    | 1588   |
| 61-66-3 THC    | 2105   | 71-66-3 THC    | 2234   |
| 61-66-4 THC    | 2740   | 71-66-4 THC    | 2880   |
| 81-66-1 THC    | 1011   | 91-66-1 THC    | 1112   |
| 81-66-2 THC    | 1751   | 91-66-2 THC    | 1846   |
| 81-66-3 THC    | 2480   | 91-66-3 THC    | 2580   |
| 81-66-4 THC    | 3187   | 91-66-4 THC    | 3310   |

**Note:** Non-stocking items made per order. Once order is placed in production it cannot be cancelled.