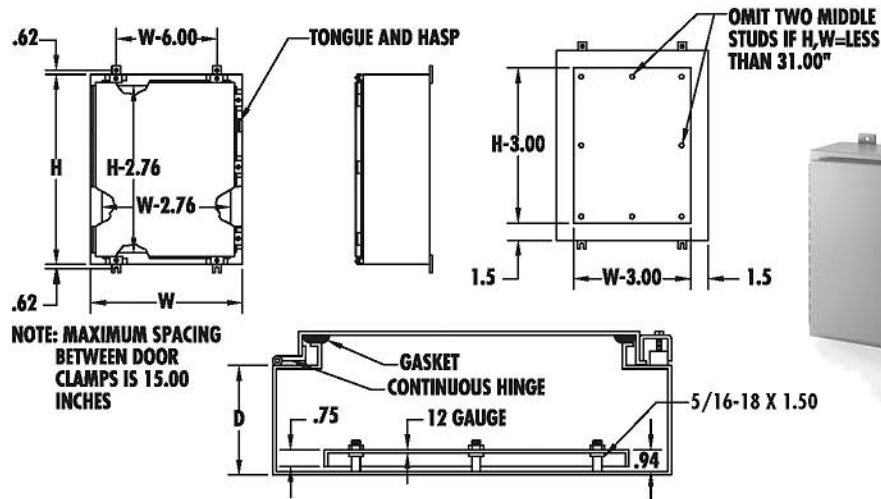


# SINGLE DOOR TYPE 4-PAINTED-ENCLOSURE - LESS PANEL



- CONSTRUCTION:**
- CODE GAUGE PAINT GRIP GALVANIZED STEEL
  - SEAMS CONTINUOUSLY WELDED AND GROUND SMOOTH
  - DOOR CLAMPS ON THREE SIDES OF DOOR
  - HEAVY GAUGE CONTINUOUS HINGE
  - TONGUE AND HASP FOR PADLOCKING
  - OIL RESISTANT GASKET
  - STUDS PROVIDED FOR MOUNTING OPTIONAL PANEL
  - ALSO MEETS INDUSTRY STANDARDS FOR TYPE 12 USE
- FINISH:**
- ANSI 61 GRAY POLYESTER POWDER COATING INSIDE AND OUT



SINGLE DOOR TYPE 4				STEEL PANEL (WHITE)	
Enclosure Size HxWxD	Catalog Number	Weight	Number of Clamps	Catalog Number	Weight
16x12x6	16126N4	23	4	1612P	4
16x16x6	16166N4	28	4	1616P	6
20x16x6	20166N4	32	4	2016P	9
16x20x6	16206N4	32	4	1620P	9
20x20x6	20206N4	38	4	2020P	10
24x12x6	24126N4	31	5	2412P	7
24x16x6	24166N4	37	5	2416P	9
24x20x6	24206N4	43	5	2420P	13
24x24x6	24246N4	49	5	2424P	15
30x24x6	30246N4	60	5	3024P	19
30x20x6	30206N4	53	5	3020P	16
36x24x6	36246N4	69	5	3624P	24
16x12x8	16128N4	25	4	1612P	4
20x16x8	20168N4	35	4	2016P	9
20x20x8	20208N4	42	4	2020P	10
24x20x8	24208N4	47	5	2420P	13
24x24x8	24248N4	54	5	2424P	15
30x20x8	30208N4	57	5	3020P	16
30x24x8	30248N4	65	5	3024P	19
30x30x8	30308N4	78	7	3030P	19
36x24x8	36248N4	74	5	3624P	24
36x30x8	36308N4	92	7	3630P	30
42x30x8	42308N4	106	8	4230P	35
42x36x8	42368N4	125	8	4236P	43
48x36x8	48368N4	139	8	4836P	49
60x36x8	60368N4	167	9	6036P	61
20x16x10	201610N4	39	4	2016P	9
24x20x10	242010N4	52	5	2420P	13
30x24x10	302410N4	70	5	3024P	19
36x30x10	363010N4	98	7	3630P	30
48x30x10	483010N4	125	8	4830P	40
48x36x10	483610N4	147	8	4836P	49
60x36x10	603610N4	176	9	6036P	61
36x36x12	363612N4	119	7	3636P	37
30x24x12	302412N4	75	5	3024P	19
36x30x12	363012N4	104	7	3630P	30
48x36x12	483612N4	154	8	4836P	49

**NOTE:** FOR QUICK RELEASE LATCHES SEE ACCESSORIES PAGE  
**FOR LARGE QUANTITIES CALL FACTORY**

TYPE 4