



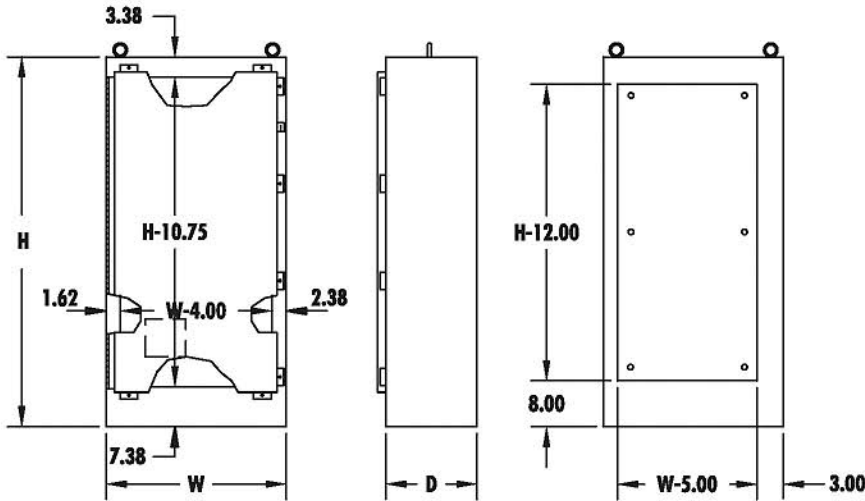
CONSTRUCTION:

- 12 GAUGE STEEL.
- SEAMS CONTINUOUSLY WELDED AND GROUND SMOOTH
- DOOR CLAMPS ON THREE SIDES OF DOOR ASSURE WATERTIGHT SEAL
- HEAVY GAUGE CONTINUOUS HINGE
- TONGUE AND HASP PROVIDED FOR PAD LOCKING
- LIFTING EYES FOR EASY HANDLING
- OIL-RESISTANT DOOR GASKET
- REMOVABLE PRINT POCKET
- OPTIONAL UNI-STRUT OR STUDS PROVIDED FOR MOUNTING OPTIONAL PANEL
- ALSO MEETS INDUSTRY STANDARDS FOR TYPE 12 USE

FINISH:

- ANSI 61 GRAY POLYESTER POWDER COATING INSIDE AND OUT

NOTE: MAXIMUM SPACING BETWEEN DOOR CLAMPS IS 15.00 INCHES.



FREE STANDING TYPE 4 ENCLOSURES

STEEL PANEL (WHITE)

Enclosure Size HxWxD	Catalog Number	Weight	Number of Clamps	Catalog Number	Weight
72.06x25.06x18.00	F722518N4	258	11	F7225PN4	65
72.06x31.06x24.00	F723124N4	347	11	F7231PN4	74
72.06x37.06x24.00	F723724N4	383	11	F7237PN4	98

FOR LARGE QUANTITIES CALL FACTORY