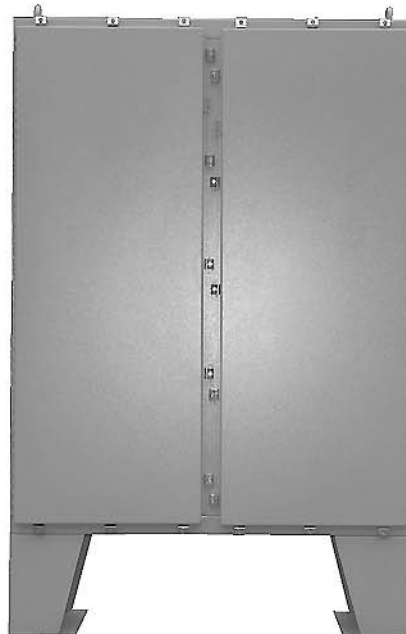


DOUBLE DOOR FLOOR MOUNTED TYPE 4 PAINTED ENCLOSURES - LESS PANEL



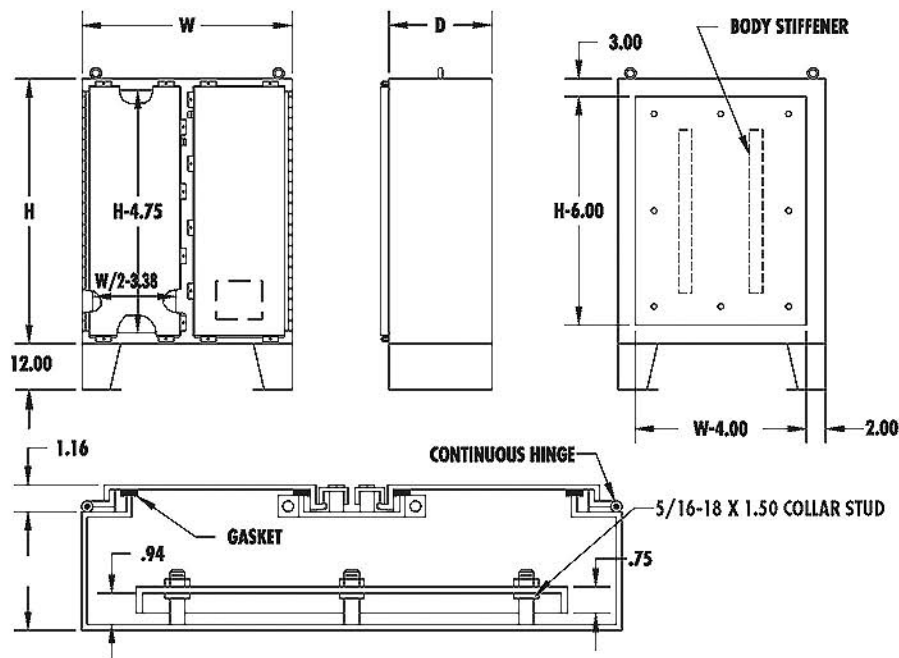
CONSTRUCTION:

- 12 GAUGE STEEL
- SEAMS CONTINUOUSLY WELDED AND GROUND SMOOTH
- REMOVABLE CENTERPOST FOR EASY PANEL INSTALLATION
- HEAVY-DUTY LIFTING EYES
- SCREWS AND CLAMPS ON THREE SIDES OF EACH DOOR ASSURE WATERTIGHT SEAL
- HEAVY GAUGE CONTINUOUS HINGE
- 12 INCH FLOOR STANDS ARE WELDED TO ENCLOSURE
- TONGUE AND HASP FOR PADLOCKING
- REMOVABLE PRINT POCKET
- OIL RESISTANT GASKET
- STUDS PROVIDED FOR MOUNTING OPTIONAL PANEL
- ALSO MEETS INDUSTRY STANDARDS FOR TYPE 12 USE

FINISH:

- ANSI 61 GRAY POLYESTER POWDER COATING INSIDE AND OUT

NOTE: MAXIMUM SPACING BETWEEN DOOR CLAMPS IS 15.00 INCHES.



TYPE 4

DOUBLE DOOR FLOOR MOUNTED TYPE 4				STEEL PANEL (WHITE)	
Enclosure Size HxWxD	Catalog Number	Weight	Number of Clamps	Catalog Number	Weight
62x48x10	D624810N4	357	22	D6248PN4	103
62x60x12	D626012N4	507	22	D6260PN4	130
74x60x12	D746012N4	626	24	D7460PN4	158
74x72x12	D747212N4	626	24	D7472PN4	191

FOR LARGE QUANTITIES CALL FACTORY