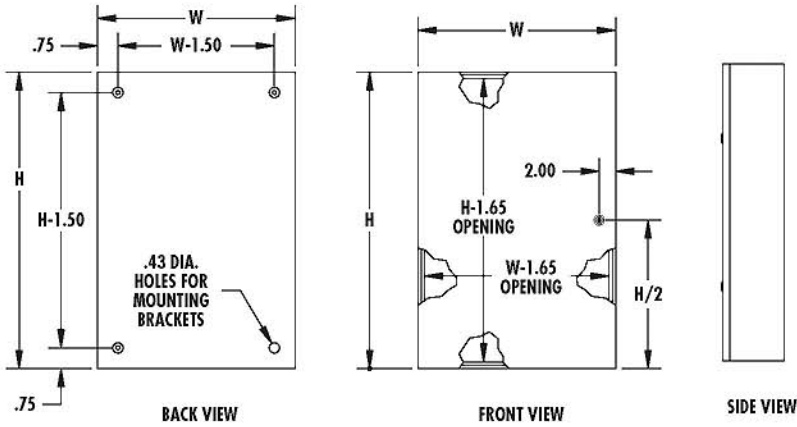


(ENCLOSURES 24H X 20W AND SMALLER)

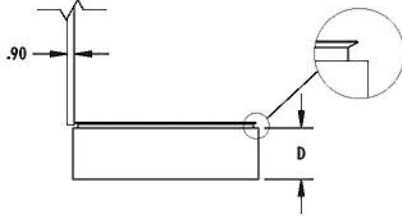


CONSTRUCTION:

- CODE GAUGE PAINT GRIP GALVANIZED STEEL
- SPECIAL HIDDEN BUTT HINGE WITH REMOVABLE CAPTIVE PIN ALLOWS FOR EASY REMOVAL AND INTERCHANGING OF DOORS
- OFFSET BODY ALLOWS COVER TO BE FLUSH WITH BOX
- NEARLY FLUSH QUARTER TURN LATCH, HOLDS DOOR SECURELY CLOSED
- STUDS PROVIDED FOR MOUNTING OPTIONAL PANEL

FINISH:

- ANSI 61 GRAY POLYESTER POWDER COATING INSIDE AND OUT OVER PAINT GRIP GALVANIZED STEEL



TYPE 4

TYPE 4 & 12 HINGED ENCLOSURE				STEEL PANEL (WHITE)	
Enclosure Size HxWxD	Qtun. Latches	Catalog Number	Weight	Catalog Number	Weight
12x12x6	1	12126N412	15	1212P	3
16x12x6	1	16126N412	22	1612P	4
16x16x6	1	16166N412	27	1616P	6
16x20x6	1	16206N412	31	1620P	9
20x16x6	1	20166N412	31	2016P	9
20x20x6	1	20206N412	36	2020P	10
24x12x6	1	24126N412	30	2412P	7
24x16x6	1	24166N412	37	2416P	9
24x20x6	1	24206N412	42	2420P	13
12x12x8	1	12128N412	16	1212P	3
16x12x8	1	16128N412	24	1612P	4
16x16x8	1	16168N412	31	1616P	6
16x20x8	1	16208N412	36	1620P	9
20x16x8	1	20168N412	34	2016P	9
20x20x8	1	20208N412	40	2020P	10
20x24x8	1	20248N412	53	2024P	13
24x16x8	1	24168N412	40	2416P	9
24x20x8	1	24208N412	46	2420P	13
16x12x10	1	161210N412	25	1612P	4
16x16x10	1	161610N412	37	1616P	6
16x20x10	1	162010N412	41	1620P	9
20x16x10	1	201610N412	38	2016P	9
20x20x10	1	202010N412	44	2020P	10
20x24x10	1	202410N412	58	2024P	13
24x16x10	1	241610N412	45	2416P	9
24x20x10	1	242010N412	50	2420P	13
20x20x12	1	202012N412	49	2020P	10
24x20x12	1	242012N412	54	2420P	13

Optional External Mounting Feet

Part# MFKIT