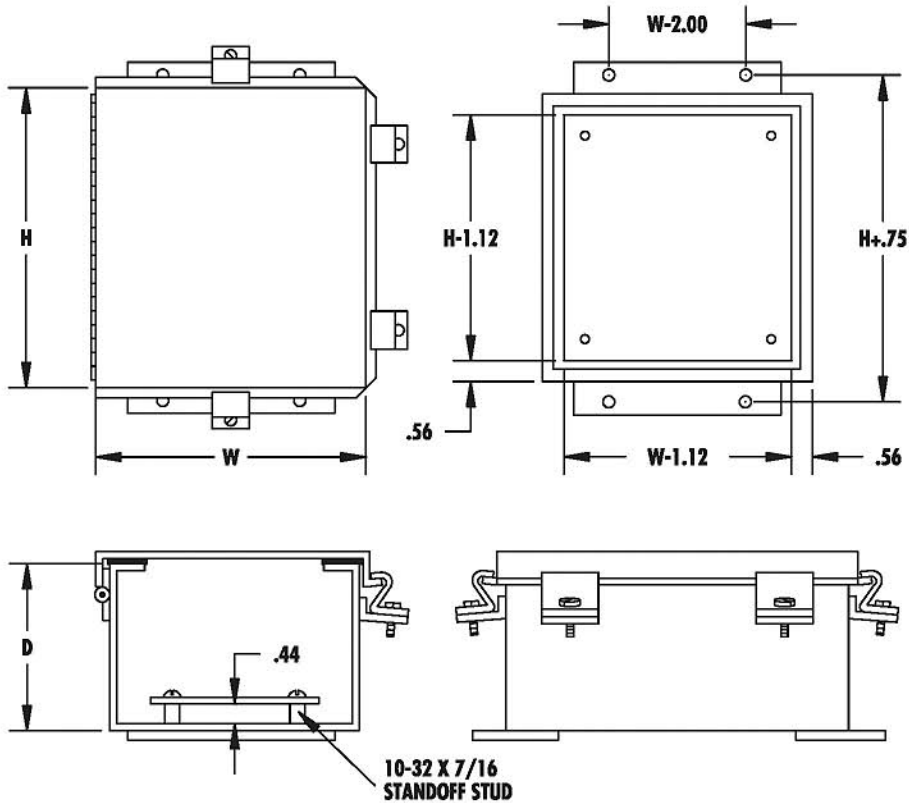




# STAINLESS STEEL JIC TYPE 4X-CONTINUOUS HINGE - LESS PANEL

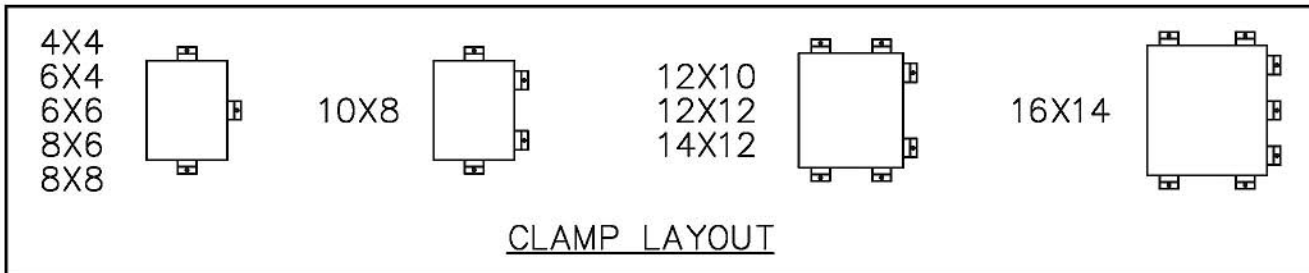
NOTE: MAXIMUM SPACING BETWEEN CLAMPS IS 8.00.



- CONSTRUCTION:**
- CODE GAUGE TYPE 304 STAINLESS STEEL
  - SEAMS CONTINUOUSLY WELDED AND GROUND SMOOTH
  - STAINLESS STEEL SCREWS AND CLAMPS ON THREE SIDES OF COVER ASSURE WATERTIGHT SEAL
  - CONTINUOUS HINGE
  - OIL RESISTANT GASKET
  - OPTIONAL PANEL
  - ALSO MEETS INDUSTRY STANDARDS FOR TYPE 12 USE

- FINISH:**
- ENCLOSURES HAVE A BRUSHED FINISH

TYPE 4X



STAINLESS STEEL JIC TYPE 4X CONTINUOUS HINGE			STEEL PANEL (WHITE)	
Enclosure Size HxWxD	Catalog Number	Weight	Catalog Number	Weight
6x6x4	SJH664N4X	5.5	66PJ	1
8x6x4	SJH864N4X	7	86PJ	1
8x8x4	SJH884N4X	9	88PJ	1
10x8x4	SJH1084N4X	10.5	108PJ	1
10x10x4	SJH10104N4X	12	1010PJ	2
8x8x6	SJH886N4X	11	88PJ	1
10x8x6	SJH1086N4X	13	108PJ	1
10x10x6	SJH10106N4X	14	1010PJ	2
12x10x6	SJH12106N4X	15	1210PJ	2
12x12x6	SJH12126N4X	16	1212PJ	3
14x12x6	SJH14126N4X	20	1412PJ	3
16x14x6	SJH16146N4X	25	1614PJ	5

NOTE: FOR QUICK RELEASE LATCH SEE ACCESSORIES SECTION

NOTE: For 316L Stainless Steel replace "N4X" suffix with N4X-6