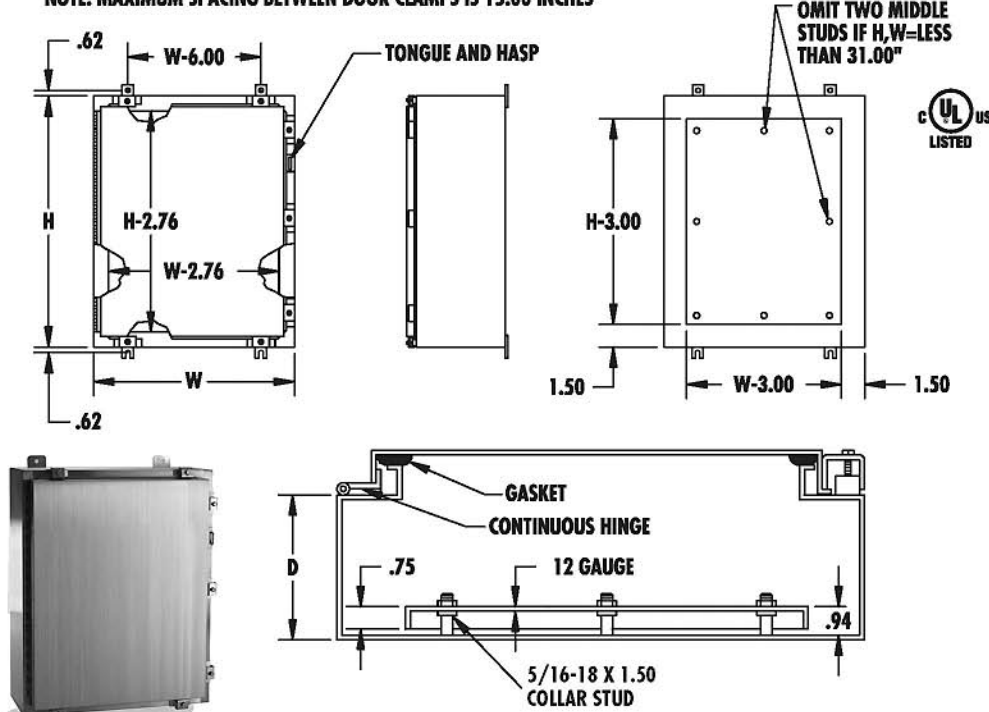




# STAINLESS STEEL SINGLE DOOR-TYPE 4X ENCLOSURES - LESS PANEL

NOTE: MAXIMUM SPACING BETWEEN DOOR CLAMPS IS 15.00 INCHES



## CONSTRUCTION:

- CODE GAUGE TYPE 304 STAINLESS STEEL
- SEAMS CONTINUOUSLY WELDED AND GROUND SMOOTH
- STAINLESS STEEL SCREWS AND CLAMPS ON THREE SIDES OF COVER ASSURE WATERTIGHT SEAL
- STAINLESS STEEL CONTINUOUS HINGE
- TONGUE AND HASP FOR PAD LOCKING
- OIL RESISTANT GASKET
- STUDS PROVIDED FOR MOUNTING OPTIONAL PANEL
- ALSO MEETS INDUSTRY STANDARDS FOR TYPE 12 USE

## FINISH:

- ENCLOSURES HAVE A BRUSHED FINISH

## STAINLESS STEEL SINGLE DOOR-TYPE 4X ENCLOSURE

## STEEL PANEL (WHITE)

Enclosure Size HxWxD	Catalog Number	Weight	Number of Clamps	Catalog Number	Weight
16x12x6	S16126N4X	23	4	1612P	4
16x16x6	S16166N4X	28	4	1616P	6
20x16x6	S20166N4X	33	4	2016P	9
20x20x6	S20206N4X	38	4	2020P	10
24x24x6	S24246N4X	44	5	2424P	15
16x12x8	S16128N4X	25	4	1612P	4
20x16x8	S20168N4X	33	4	2016P	9
24x16x8	S24168N4X	38	5	2416P	9
24x20x8	S24208N4X	44	5	2420P	13
24x24x8	S24248N4X	55	5	2424P	15
24x30x8	S24308N4X	66	7	2430P	19
30x20x8	S30208N4X	58	5	3020P	16
30x24x8	S30248N4X	66	5	3024P	19
36x24x8	S36248N4X	76	5	3624P	24
36x30x8	S36308N4X	95	7	3630P	30
42x36x8	S42368N4X	132	8	4236P	43
48x36x8	S48368N4X	143	8	4836P	49
20x16x10	S201610N4X	40	4	2016P	9
24x20x10	S242010N4X	53	5	2420P	13
36x24x10	S362410N4X	82	5	3624P	24
36x30x10	S363010N4X	101	7	3630P	30
42x30x10	S423010N4X	116	8	4230P	35
24x24x12	S242412N4X	64	5	2424P	15
30x24x12	S302412N4X	77	5	3024P	19
36x30x12	S363012N4X	107	7	3630P	30
36x36x12	S363612N4X	111	7	3636P	37
48x36x12	S483612N4X	162	8	4836P	49
60x36x12	S603612N4X	191	9	6036P	61

NOTE: FOR QUICK RELEASE LATCHES SEE ACCESSORIES SECTION

NOTE: For 316L Stainless Steel replace "N4X" suffix with N4X-6