

STAINLESS STEEL-DOUBLE FLOOR MOUNTED TYPE 4X ENCLOSURES - LESS PANEL

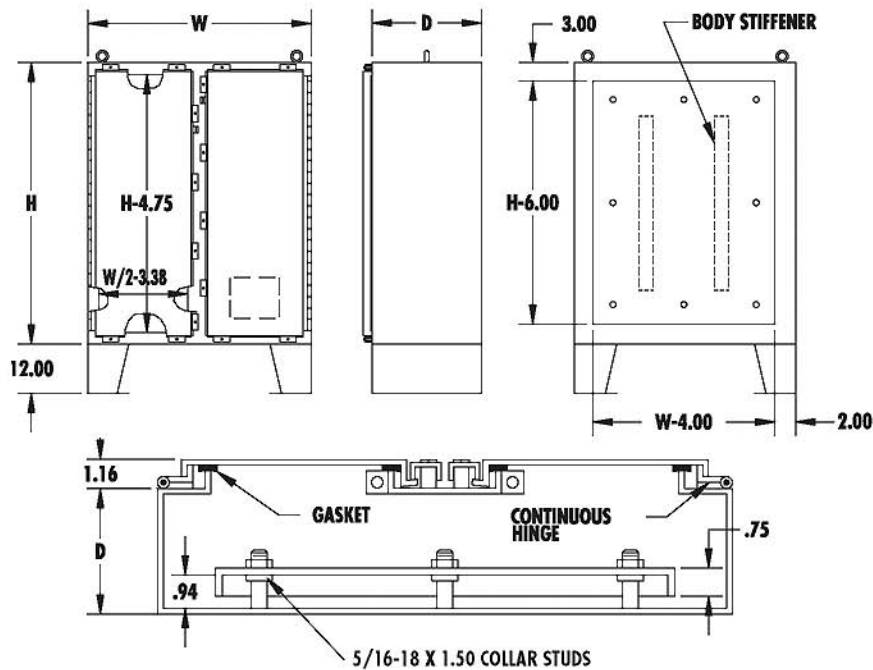


CONSTRUCTION:

- 12 GAUGE TYPE 304 STAINLESS STEEL
- SEAMS CONTINUOUSLY WELDED AND GROUND SMOOTH
- REMOVABLE CENTERPOST FOR EASY PANEL INSTALLATION
- HEAVY DUTY LIFTING EYES
- STAINLESS STEEL SCREWS AND CLAMPS ON THREE SIDES OF EACH DOOR ASSURE WATER-TIGHT SEAL
- HEAVY GAUGE STAINLESS STEEL CONTINUOUS HINGE
- 12 INCH FLOOR STANDS ARE WELDED TO ENCLOSURE
- TONGUE AND HASP FOR PADLOCKING
- REMOVABLE PRINT POCKET
- OIL RESISTANT GASKET
- STUDS PROVIDED FOR MOUNTING OPTIONAL PANEL
- ALSO MEETS INDUSTRY STANDARDS FOR TYPE 12 USE

FINISH:

- ENCLOSURES HAVE A BRUSHED FINISH



TYPE
4X

| STAINLESS STEEL-DOUBLE FLOOR MOUNTED TYPE 4X ENCLOSURES | | | | STEEL PANEL (WHITE) | |
|---|-------------------|--------|---------------------|---------------------|--------|
| Enclosure Size HxWxD | Catalog Number | Weight | Number of Clamps | Catalog Number | Weight |
| 62x48x10 | SD624810N4X | 357 | 22 | D6248PN4 | 103 |
| 62x60x12 | SD626012N4X | 507 | 22 | D6260PN4 | 130 |
| 74x72x12 | SD747212N4X | 626 | 24 | D7472PN4 | 191 |

NOTE: For 316L Stainless Steel replace "N4X" suffix with N4X-6