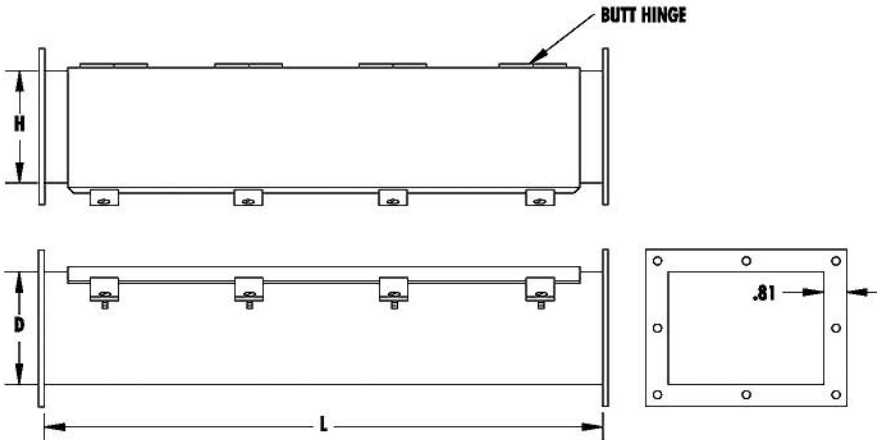


STAINLESS STEEL TYPE 4X PULL THRU WIREWAY



NOTE: MAXIMUM SPACING BETWEEN CLAMPS ARE 15.00 INCHES.



CONSTRUCTION:

- CODE GAUGE TYPE 304 STAINLESS STEEL
- 12 GAUGE TYPE 304 STAINLESS STEEL END FLANGES
- SEAMS CONTINUOUSLY WELDED AND GROUND SMOOTH
- STAINLESS STEEL BUTT HINGE
- SCREW CLAMPS ARE QUICK AND EASY TO OPERATE
- OIL RESISTANT GASKET
- GASKET POSITIONED BETWEEN FLANGES WHEN SECTION AND FITTINGS ARE BOLTED TOGETHER
- ALSO MEETS INDUSTRY STANDARDS FOR TYPE 12 USE

FINISH:

- WIREWAY HAVE A BRUSHED FINISH

Wireway Size HxDxL	Catalog Number	Weight
4x4x12	S1-44P	7
4x4x24	S2-44P	12
4x4x36	S3-44P	17
4x4x48	S4-44P	21
4x4x60	S5-44P	26
4x4x120	S10-44P	52
FITTINGS		
90L	S4-90P	5
45L	S4-45P	3
Tee	S4-TP	6
Cross	S4-CP	8
End Plate	S4-EPP	1
6" Nipple	S4-N6P	3
Box Connector	S4-BCP	1
Drop Hanger	S4-DHP	1
Bracket Hanger	S4-BHP	1
6x6x12	S1-66P	10
6x6x24	S2-66P	18
6x6x36	S3-66P	24
6x6x48	S4-66P	32
6x6x60	S5-66P	40
6x6x120	S10-66P	78
FITTINGS		
90L	S6-90P	8
45L	S6-45P	6
Tee	S6-TP	10
Cross	S6-CP	13
End Plate	S6-EPP	3
6" Nipple	S6-N6P	5
Box Connector	S6-BCP	1
Reducer	S6-RPN4X	3
Drop Hanger	S6-DHP	2
Bracket Hanger	S6-BHP	3

NOTE: For 316L Stainless Steel replace "P" suffix with P-6

FOR LARGE QUANTITIES CALL FACTORY