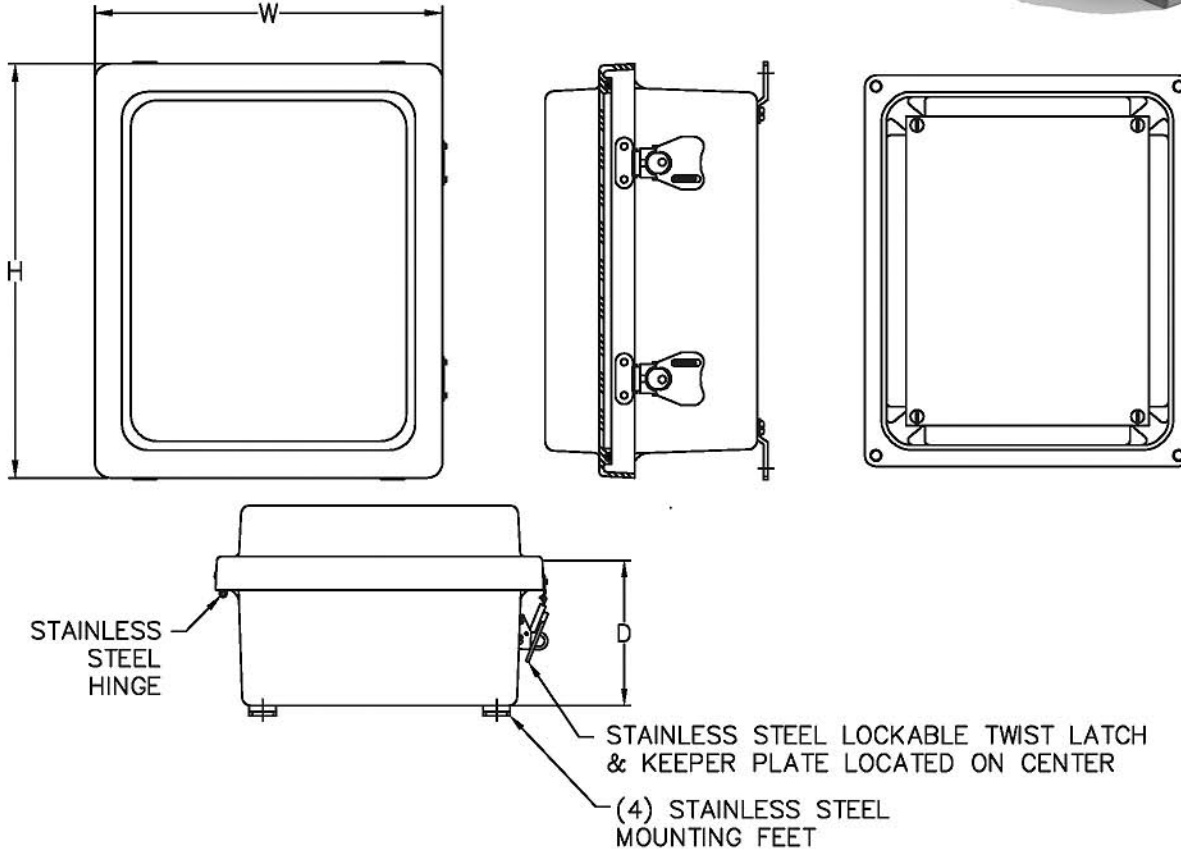


# SMALL NON-METALLIC TYPE 4X HINGED WITH TWIST LATCH



**CONSTRUCTION:**

- STRONG MOLDED FIBERGLASS REINFORCED POLYESTER CONSTRUCTION WITH MATCHING RAISED COVER FOR ADDITIONAL DEPTH
- STAINLESS STEEL TWIST LATCHES FEATURE PADLOCK HASP
- CONTINUOUS STAINLESS STEEL HINGE
- GASKET MATERIAL MADE OF CLOSED-CELL NEOPRENE CORD
- STAINLESS STEEL WALL MOUNTING HARDWARE WITH 10-32 STAINLESS STEEL SCREWS INCLUDED
- 10-32 THREADED INSERTS ARE INSTALLED FOR OPTIONAL BACK PANEL OR TERMINAL KITS
- FIBERGLASS MATERIAL IS EASILY PUNCHED, DRILLED, OR SAWED
- UV STABILIZED MATERIAL FOR OUTDOOR USE



TYPE 4X

NON-METALLIC TYPE 4X HINGED WITH TWIST LATCH			GALVANIZED PANEL	
Enclosure Size HxWxD	Catalog Number	Weight	Catalog Number	Weight
6.10x6.10x4.18	NQR664	6	NA66P	1
8.00x6.13x4.13	NQR864	6	NA86P	1
10.14x8.26x6.13	NQR1086	7	NA108P	1
12.14x10.26x6.13	NQR12106	9	NA1210P	2
14.13x12.25x6.13	NQR14126	12	NA1412P	3
16.28x14.40x8.13	NQR16148	14	NA1614P	5
18.40x16.40x8.13	NQR18168	18	NA1816P	8
20.00x16.00x8.13	NQR20168	19	NA2016P	9
24.00x20.00x8.13	NQR24208	25	NA2420P	13
24.00x20.00x10.13	NQR242010	30	NA2420P	13
24.00x24.00x8.13	NQR24248	35	NA2424P	15
30.00x24.00x8.13	NQR30248	50	NA3024P	19
24.00x24.00x10.13	NQR242410	40	NA2424P	13
30.00x24.00x10.13	NQR302410	55	NA3024P	19