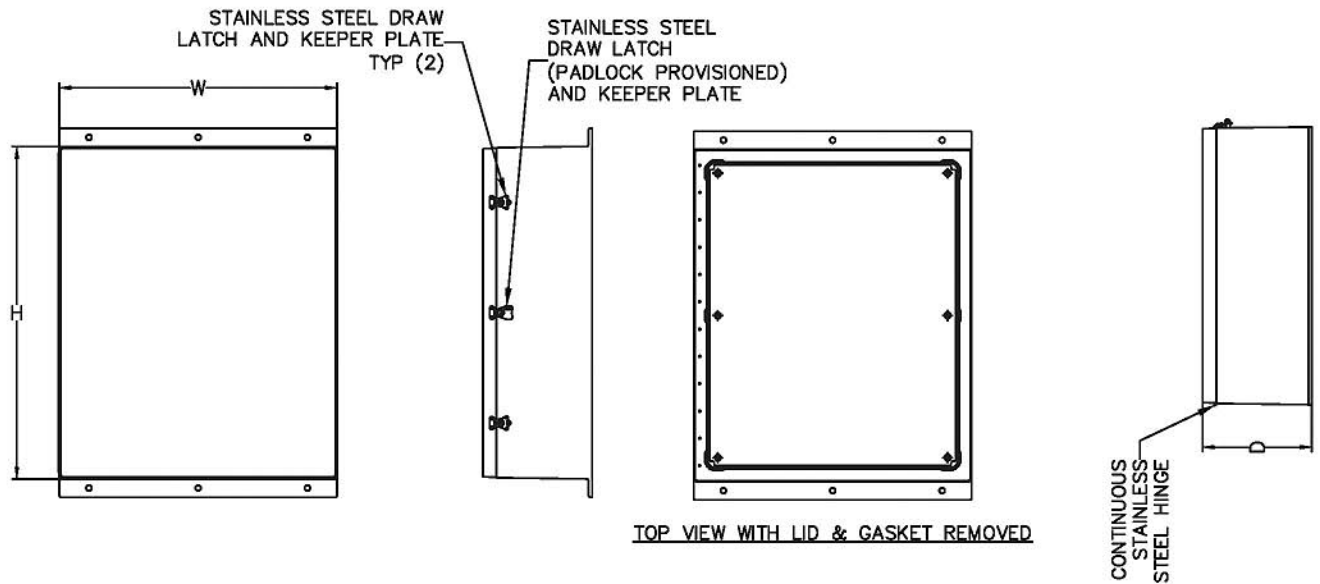


LARGE NON-METALLIC TYPE 4X HINGED ENCLOSURES WITH TWIST LATCH



CONSTRUCTION:

- STRONG MOLDED FIBERGLASS REINFORCED POLYESTER CONSTRUCTION WITH MATCHING RAISED COVER FOR ADDITIONAL DEPTH
- STAINLESS STEEL TWIST LATCHES FEATURE PADLOCK HASP
- CONTINUOUS STAINLESS STEEL HINGE
- GASKET MATERIAL MADE OF CLOSED-CELL NEOPRENE CORD
- STAINLESS STEEL WALL MOUNTING HARDWARE WITH 10-32 STAINLESS STEEL SCREWS INCLUDED
- 10-32 THREADED INSERTS ARE INSTALLED FOR OPTIONAL BACK PANEL OR TERMINAL KITS
- FIBERGLASS MATERIAL IS EASILY PUNCHED, DRILLED, OR SAWED
- UV STABILIZED MATERIAL FOR OUTDOOR USE



TYPE 4X

NON-METALLIC TYPE 4X HINGED WITH TWIST LATCH			GALVANIZED PANEL	
Enclosure Size HxWxD	Catalog Number	Weight	Catalog Number	Weight
36.25X30.25X12	NQR363012	59	NA3630P	30
36.25X30.25X16	NQR363016	64	NA3630P	30
36.25X36.25X12	NQR363612	72	NA3636P	37
36.25X36.25X16	NQR363616	77	NA3636P	37
48.25X36.25X12	NQR483612	83	NA4836P	49
48.25X36.25X16	NQR483616	91	NA4836P	49
60.25X36.25X12	NQR603612	101	NA6036P	61
60.25X36.25X16	NQR603616	122	NA6036P	61