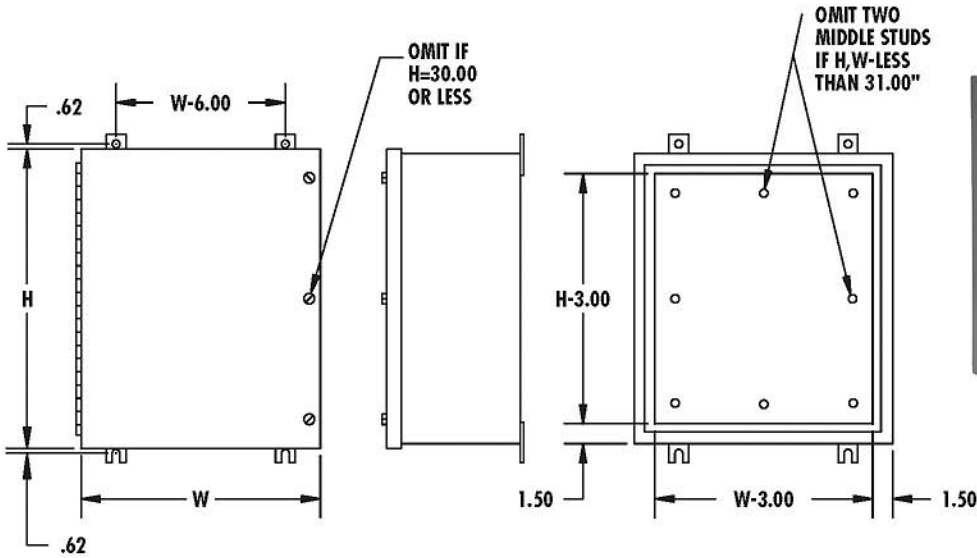




LARGE TYPE 12 JIC BOXES WITH CONTINUOUS HINGE - LESS PANEL

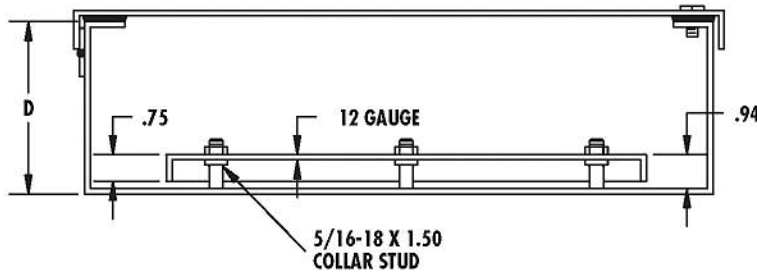


CONSTRUCTION:

- CODE GAUGE PAINT GRIP GALVANIZED STEEL
- SEAMS CONTINUOUSLY WELDED AND GROUND SMOOTH
- OIL RESISTANT GASKET
- STUDS PROVIDED FOR MOUNTING OPTIONAL PANEL

FINISH:

- ANSI 61 GRAY POLYESTER POWDER COATING INSIDE AND OUT



LARGE JIC BOXES TYPE 12			STEEL PANEL (WHITE)	
Enclosure Size HxWxD	Catalog Number	Weight	Catalog Number	Weight
20x16x7	JHSC20167	31	2016P	9
20x20x7	JHSC20207	37	2020P	10
24x20x7	JHSC24207	43	2420P	13
24x24x7	JHSC24247	48	2424P	15
30x20x7	JHSC30207	50	3020P	16
30x24x7	JHSC30247	58	3024P	19
36x24x7	JHSC36247	69	3624P	24
20x16x9	JHSC20169	36	2016P	9
20x20x9	JHSC20209	41	2020P	10
24x20x9	JHSC24209	47	2420P	13
24x24x9	JHSC24249	54	2424P	15
30x20x9	JHSC30209	55	3020P	16
30x24x9	JHSC30249	62	3024P	19
36x24x9	JHSC36249	76	3624P	24
36x30x9	JHSC36309	90	3630P	30
42x30x9	JHSC42309	103	4230P	35
42x36x9	JHSC42369	115	4236P	43
24x24x11	JHSC242411	58	2424P	15
36x24x11	JHSC362411	77	3624P	24
48x36x11	JHSC483611	139	4836P	49
30x24x13	JHSC302413	70	3024P	19
36x30x13	JHSC363013	100	3630P	30

TYPE
12