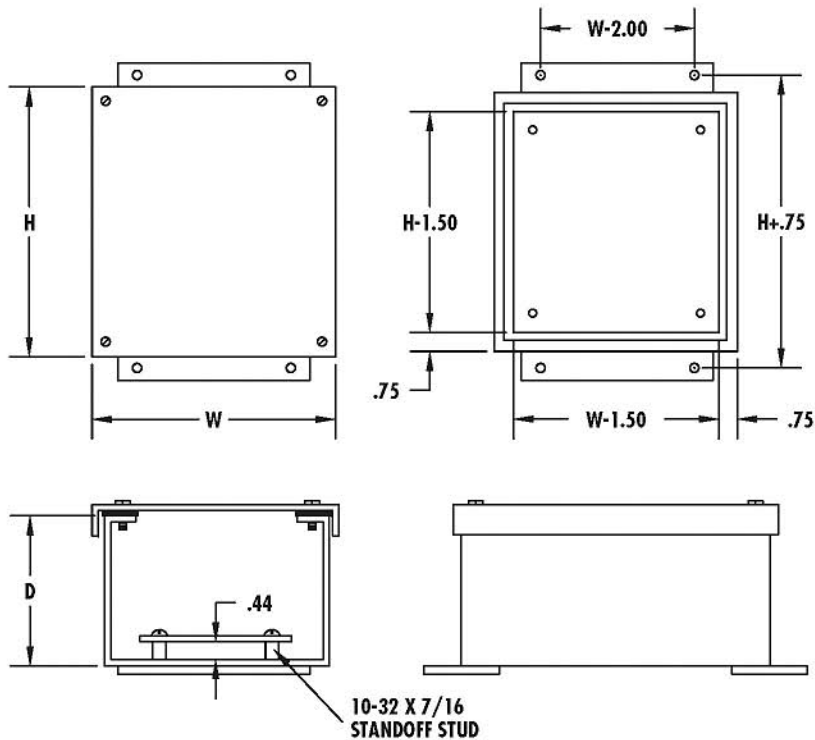


SCREW COVER TYPE 12 JIC BOXES - LESS PANEL



- CONSTRUCTION:**
- CODE GAUGE PAINT GRIP GALVANIZED STEEL
 - SEAMS CONTINUOUSLY WELDED AND GROUND SMOOTH
 - OIL RESISTANT GASKET
 - OPTIONAL PANEL

- FINISH:**
- ANSI 61 GRAY POLYESTER POWDER COATING INSIDE AND OUT

SCREW COVER TYPE 12 JIC BOXES			STEEL PANEL (WHITE)	
Enclosure Size HxWxD	Catalog Number	Weight	Catalog Number	Weight
4x4x3	JSC443	2	N/A	N/A
4x4x4	JSC444	2	N/A	N/A
6x4x3	JSC643	3	64PJ	1
6x4x4	JSC644	3	64PJ	1
6x6x4	JSC664	4	66PJ	1
8x6x4	JSC864	5	86PJ	1
8x6x6	JSC866	7	86PJ	1
8x8x4	JSC884	7	88PJ	1
10x8x4	JSC1084	8	108PJ	1
10x8x6	JSC1086	10	108PJ	1
10x10x4	JSC10104	9	1010PJ	2
10x10x6	JSC10106	11	1010PJ	2
12x10x5	JSC12105	11	1210PJ	2
12x12x6	JSC12126	15	1212PJ	3
14x12x6	JSC14126	16	1412PJ	3
16x14x6	JSC16146	20	1614PJ	5

TYPE 12