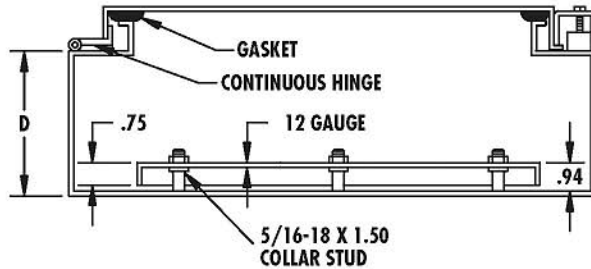
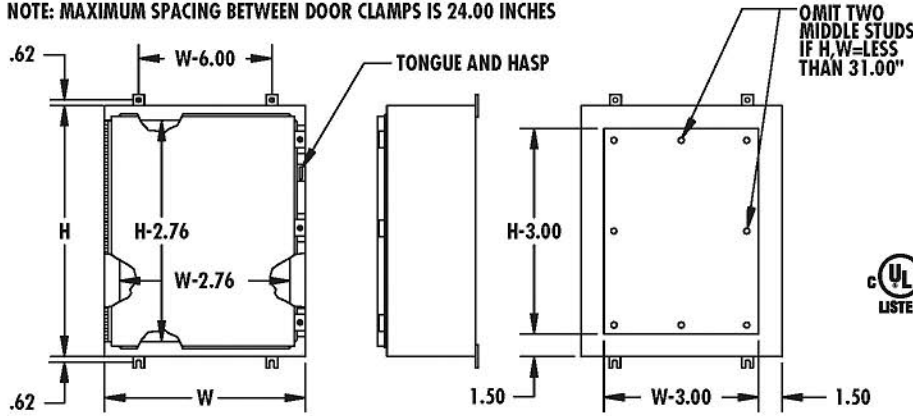




NOTE: MAXIMUM SPACING BETWEEN DOOR CLAMPS IS 24.00 INCHES



**CONSTRUCTION:**

- CODE GAUGE PAINT GRIP GALVANIZED STEEL
- SEAMS CONTINUOUSLY WELDED AND GROUND SMOOTH
- DOOR CLAMPS ARE QUICK AND EASY TO OPERATE
- HEAVY GAUGE CONTINUOUS HINGE
- TONGUE AND HASP FOR PAD LOCKING
- OIL RESISTANT GASKET
- STUDS PROVIDED FOR MOUNTING OPTIONAL PANEL

**FINISH:**

- ANSI 61 GRAY POLYESTER POWDER COATING INSIDE AND OUT

**SINGLE DOOR TYPE 12**

**STEEL PANEL (WHITE)**

Enclosure Size HxWxD	Catalog Number	Weight	Number of Clamps	Catalog Number	Weight
16x12x6	16126N12	22	2	1612P	4
16x16x6	16166N12	27	2	1616P	6
16x20x6	16206N12	31	2	1620P	9
20x12x6	20126N12	22	2	2012P	5
20x16x6	20166N12	31	2	2016P	9
20x20x6	20206N12	36	2	2020P	10
24x12x6	24126N12	30	2	2412P	7
24x16x6	24166N12	37	2	2416P	9
24x20x6	24206N12	42	2	2420P	13
24x24x6	24246N12	48	2	2424P	15
30x20x6	30206N12	51	2	3020P	16
30x24x6	30246N12	58	2	3024P	19
36x24x6	36246N12	69	3	3624P	24
36x30x6	36306N12	84	3	3630P	30

NOTE: FOR QUICK RELEASE LATCH SEE ACCESSORIES SECTION  
FOR LARGE QUANTITIES CALL FACTORY

Continue on next Page

# SINGLE DOOR TYPE 12 ENCLOSURES - LESS PANEL



SINGLE DOOR TYPE 12				STEEL PANEL (WHITE)	
Enclosure Size HxWxD	Catalog Number	Weight	Number of Clamps	Catalog Number	Weight
16x12x8	16128N12	24	2	1612P	4
16x16x8	16168N12	31	2	1616P	6
20x16x8	20168N12	34	2	2016P	9
20x20x8	20208N12	40	2	2020P	10
24x12x8	24128N12	27	2	2412P	7
24x16x8	24168N12	40	2	2416P	9
24x20x8	24208N12	46	2	2420P	13
24x24x8	24248N12	52	2	2424P	15
30x20x8	30208N12	55	2	3020P	16
30x24x8	30248N12	63	2	3024P	19
30x30x8	30308N12	75	2	3030P	19
36x24x8	36248N12	72	2	3624P	24
36x30x8	36308N12	90	3	3630P	30
36x36x8	36368N12	102	3	3636P	37
42x24x8	42248N12	76	3	4224P	25
42x30x8	42308N12	101	3	4230P	35
42x36x8	42368N12	119	3	4236P	43
48x30x8	48308N12	113	3	4830P	40
48x36x8	48368N12	113	3	4836P	49
60x36x8	60368N12	160	3	6036P	61
16x12x10	161210N12	25	2	1612P	4
20x16x10	201610N12	38	2	2016P	9
20x20x10	202010N12	44	2	2020P	10
24x20x10	242010N12	50	2	2420P	13
24x24x10	242410N12	56	2	2424P	15
30x24x10	302410N12	68	2	3024P	19
36x24x10	362410N12	78	3	3624P	24
36x30x10	363010N12	96	3	3630P	30
42x30x10	423010N12	108	3	4230P	35
42x36x10	423610N12	126	3	4236P	43
48x30x10	483010N12	120	3	4830P	40
48x36x10	483610N12	141	3	4836P	49
60x36x10	603610N12	169	3	6036P	61
20x16x12	201612N12	40	2	2016P	9
24x20x12	242012N12	54	2	2420P	13
24x24x12	242412N12	61	2	2424P	15
30x24x12	302412N12	73	2	3024P	19
30x30x12	303012N12	89	2	3030P	19
36x24x12	362412N12	83	3	3624P	24
36x30x12	363012N12	102	3	3630P	30
36x36x12	363612N12	117	3	3636P	37
42x30x12	423012N12	115	3	4230P	35
42x36x12	423612N12	132	3	4236P	43
48x36x12	483612N12	148	3	4836P	49
60x36x12	603612N12	178	3	6036P	61
72x36x12	723612N12	221	3	7236P	74
24x20x16	242016N12	60	2	2420P	13
30x24x16	302416N12	82	2	3024P	19
36x30x16	363016N12	106	3	3630P	30
48x36x16	483616N12	164	3	4836P	49
60x36x16	603616N12	121	3	6036P	61
36x30x20	363020N12	121	3	3630P	30
48x36x20	483620N12	172	3	4836P	49
60x36x20	603620N12	208	3	6036P	61

NOTE: FOR QUICK RELEASE LATCH SEE ACCESSORIES SECTION

FOR LARGE QUANTITIES CALL FACTORY

TYPE  
12