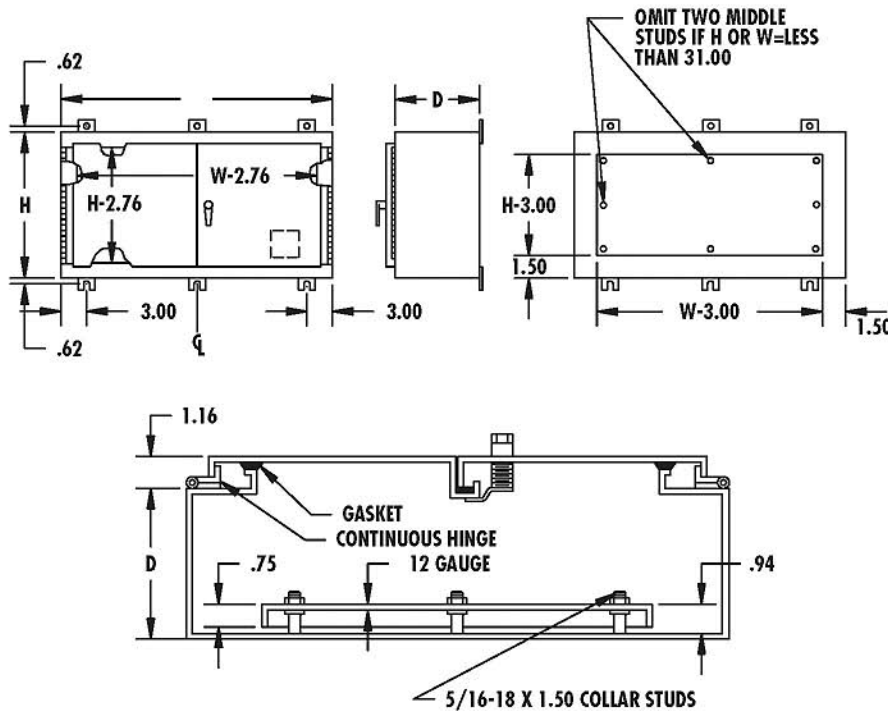
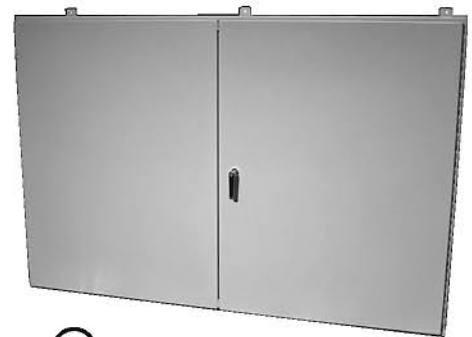


DOUBLE DOOR-WALL MOUNT-TYPE 12 ENCLOSURES - LESS PANEL



CONSTRUCTION:

- CODE GAUGE STEEL
- SEAMS CONTINUOUSLY WELDED AND GROUND SMOOTH
- GASKETED OVERLAPPING DOORS ELIMINATE NEED FOR CENTERPOST
- 3-POINT LATCHING MECHANISM OPERATED BY OIL-TIGHT KEY LOCKING L-HANDLE
- LATCH RODS HAVE ROLLERS FOR EASIER DOOR CLOSING
- HEAVY GAUGE CONTINUOUS HINGE
- REMOVABLE PRINT POCKET
- OIL RESISTANT DOOR GASKET
- STUDS PROVIDED FOR MOUNTING OPTIONAL PANEL

FINISH:

- ANSI 61 GRAY POLYESTER POWDER COATING INSIDE AND OUT

DOUBLE DOOR-WALL MOUNT-TYPE 12			STEEL PANEL (WHITE)	
Enclosure Size HxWxD	Catalog Number	Weight	Catalog Number	Weight
24x42x8	DW24428N12	89	DW2442P	28
24x48x8	DW24488N12	98	DW2448P	32
30x42x10	DW304210N12	117	DW3042P	35
30x48x10	DW304810N12	128	DW3048P	40
30x60x10	DW306010N12	152	DW3060P	51
36x42x12	DW364212N12	177	DW3642P	53
36x48x12	DW364812N12	193	DW3648P	49
36x60x12	DW366012N12	231	DW3660P	61
42x60x12	DW426012N12	260	DW4260P	89
48x48x12	DW484812N12	280	DW4848P	80

TYPE 12