



DOUBLE DOOR FLOOR MOUNT TYPE 12 ENCLOSURES - LESS PANEL

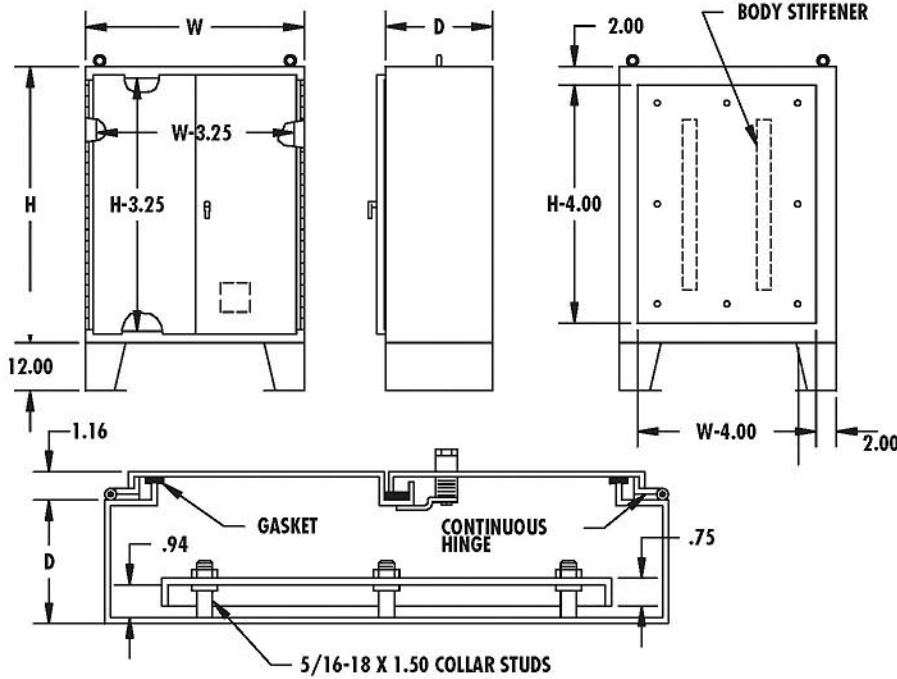


CONSTRUCTION:

- 12 GAUGE STEEL
- SEAMS CONTINUOUSLY WELDED AND GROUND SMOOTH
- GASKETED OVERLAPPING DOORS ELIMINATE NEED FOR CENTERPOST
- 3-POINT LATCHING MECHANISM OPERATED BY OIL-TIGHT KEY LOCKING L-HANDLE
- LATCH RODS HAVE ROLLERS FOR EASIER DOOR CLOSING
- HEAVY GAUGE CONTINUOUS HINGE
- PRINT POCKET PROVIDED ON DOOR WITH 3-POINT LATCH
- 12 INCH FLOOR STANDS ARE WELDED TO ENCLOSURE
- HEAVY-DUTY LIFTING EYES
- OIL-RESISTANT GASKET
- STUDS PROVIDED FOR MOUNTING OPTIONAL PANEL

FINISH:

- ANSI 61 GRAY POLYESTER POWDER COATING INSIDE AND OUT



DOUBLE DOOR FLOOR MOUNT TYPE 12

STEEL PANEL (WHITE)

Enclosure Size HxWxD	Catalog Number	Weight	Catalog Number	Weight
54x42x8	D54428N12	210	D5442P	62
60x48x8	D60488N12	319	D6048P	103
60x48x10	D604810N12	330	D6048P	103
60x60x10	D606010N12	390	D6060P	130
72x60x10	D726010N12	450	D7260P	158
72x72x10	D727210N12	525	D7272P	191
60x48x12	D604812N12	360	D6048P	103
60x60x12	D606012N12	400	D6060P	130
72x60x12	D726012N12	475	D7260P	158
72x72x12	D727212N12	560	D7272P	191
60x48x16	D604816N12	420	D6048P	103
60x60x16	D606016N12	520	D6060P	130
72x60x16	D726016N12	582	D7260P	158
72x72x16	D727216N12	630	D7272P	191
60x48x20	D604820N12	486	D6048P	103
72x60x20	D726020N12	577	D7260P	158
72x72x20	D727220N12	650	D7272P	191
60x48x24	D604824N12	500	D6048P	103
60x60x24	D606024N12	566	D6060P	130
72x60x24	D726024N12	614	D7260P	158
72x72x24	D727224N12	690	D7272P	191

FOR LARGE QUANTITIES CALL FACTORY

TYPE
12