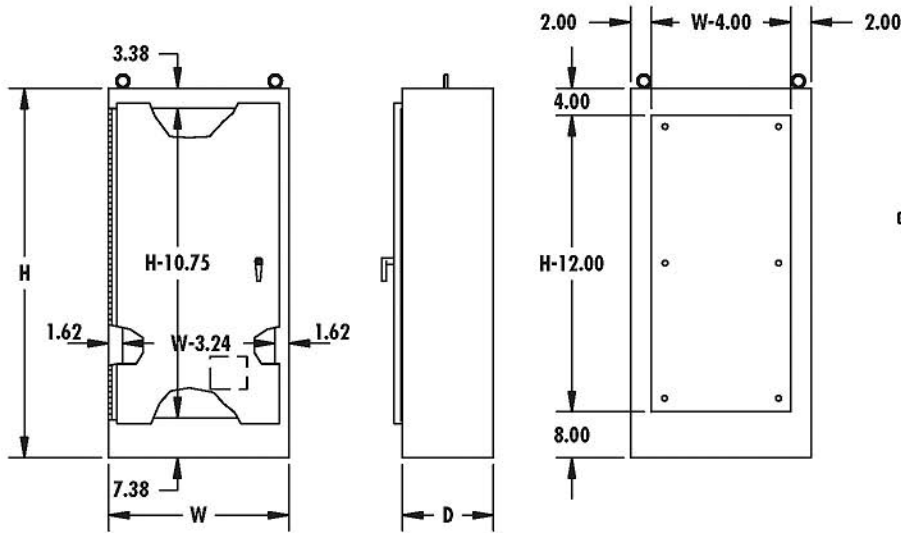


FREESTANDING-SINGLE DOOR-TYPE 12 ENCLOSURES - LESS PANEL



CONSTRUCTION:

- 12 GAUGE STEEL
- SEAMS CONTINUOUSLY WELDED AND GROUND SMOOTH
- 3-POINT LATCHING OPERATED BY OIL-TIGHT KEY LOCKING L-HANDLE
- LATCH RODS HAVE ROLLERS FOR EASIER DOOR CLOSING
- HEAVY GAUGE CONTINUOUS HINGE
- LIFTING EYES FOR EASY HANDLING
- REMOVABLE PRINT POCKET
- OIL RESISTANT DOOR GASKET
- OPTIONAL STUDS OR UNI-STRUT PROVIDED FOR MOUNTING OPTIONAL PANEL

FINISH:

- ANSI 61 GRAY POLYESTER POWDER COATING INSIDE AND OUT

FREESTANDING-SINGLE DOOR-TYPE 12			STEEL PANEL (WHITE)	
Enclosure Size HxWxD	Catalog Number	Weight	Catalog Number	Weight
72x24x18	F722418N12	246	F7224P	65
72x30x18	F723018N12	285	F7230P	74
72x36x18	F723618N12	325	F7236P	98
90x36x20	F903620N12	406	F9036P	108
72x24x24	F722424N12	300	F7224P	65
72x30x24	F723024N12	335	F7230P	74
72x36x24	F723624N12	370	F7236P	98
90x36x24	F903624N12	440	F9036P	108
72x24x30	F722430N12	355	F7224P	65
72x36x30	F723630N12	420	F7236P	98
72x24x36	F722436N12	400	F7224P	65
72x36x36	F723636N12	465	F7236P	98
90x36x36	F903636N12	525	F9036P	108

TYPE 12

FOR LARGE QUANTITIES CALL FACTORY