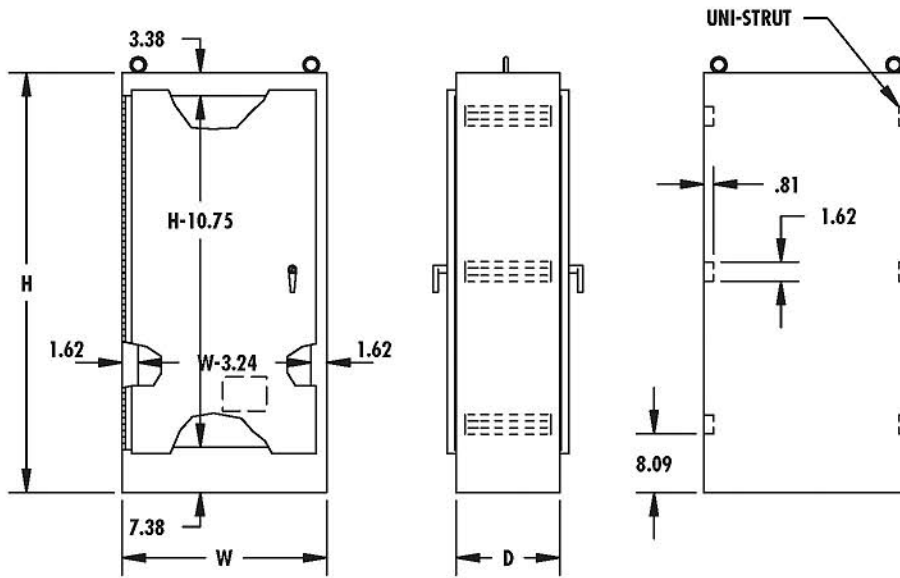




FREESTANDING-SINGLE DOOR-DUAL ACCESS TYPE 12 ENCLOSURES - LESS PANEL



CONSTRUCTION:

- 12 GAUGE STEEL
- SEAMS CONTINUOUSLY WELDED AND GROUND SMOOTH
- 3-POINT LATCHING OPERATED BY OIL-TIGHT KEY LOCKING L-HANDLE
- LATCH RODS HAVE ROLLERS FOR EASIER DOOR CLOSING
- HEAVY GAUGE CONTINUOUS HINGE
- LIFTING EYES FOR EASY HANDLING
- REMOVABLE PRINT POCKET
- OIL RESISTANT DOOR GASKET
- UNI-STRUT PROVIDED FOR MOUNTING OPTIONAL PANEL

FINISH:

- ANSI 61 GRAY POLYESTER POWDER COATING INSIDE AND OUT

TYPE 12

FREESTANDING-SINGLE DOOR-DUAL ACCESS TYPE 12

STEEL PANEL (WHITE)

Enclosure Size HxWxD	Catalog Number	Weight	Catalog Number	Weight
72x24x24	FDA722424N12	318	F7224P	65
72x30x24	FDA723024N12	362	F7230P	74
72x36x24	FDA723624N12	398	F7236P	98
90x36x24	FDA903624N12	456	F9036P	108
72x24x30	FDA722430N12	385	F7224P	65
72x24x36	FDA722436N12	401	F7224P	65
72x36x36	FDA723636N12	478	F7236P	98
90x36x36	FDA903636N12	563	F9036P	108

FOR LARGE QUANTITIES CALL FACTORY