

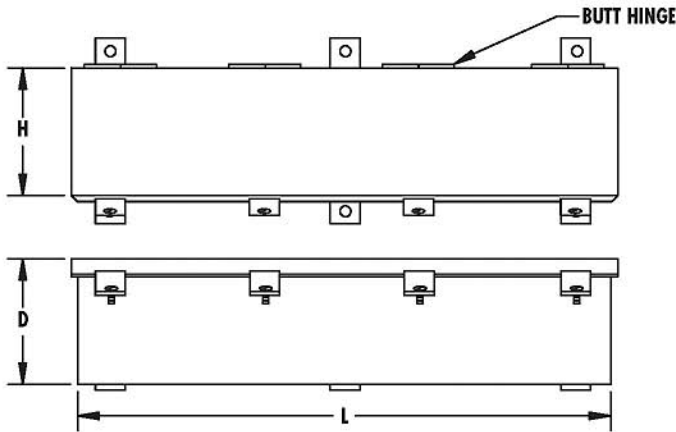


**CONSTRUCTION:**

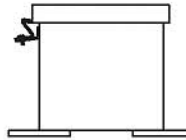
- CODE GAUGE PAINT GRIP GALVANIZED STEEL
- SEAMS CONTINUOUSLY WELDED AND GROUND SMOOTH
- BUTT HINGES
- SCREW CLAMPS ARE QUICK AND EASY TO OPERATE
- OIL RESISTANT GASKET

**FINISH:**

- ANSI 61 GRAY POLYESTER POWDER COATING INSIDE AND OUT



**NOTE: MAXIMUM SPACING BETWEEN CLAMPS IS 24.00 INCHES.**



TYPE 12

Trough Size HxDxL	Catalog Number	Weight
4x4x12	1-44JO	6
4x4x24	2-44JO	10
4x4x36	3-44JO	16
4x4x48	4-44JO	20
4x4x60	5-44JO	25
4x4x72	6-44JO	30
6x6x12	1-66JO	9
6x6x24	2-66JO	16
6x6x36	3-66JO	23
6x6x48	4-66JO	29
6x6x60	5-66JO	32
6x6x72	6-66JO	42
8x8x12	1-88JO	13
8x8x24	2-88JO	23
8x8x36	3-88JO	32
8x8x48	4-88JO	40
8x8x60	5-88JO	49
12x12x24	2-1212JO	34
12x12x36	3-1212JO	49
12x12x48	4-1212JO	60
12x12x60	5-1212JO	73

FOR LARGE QUANTITIES CALL FACTORY