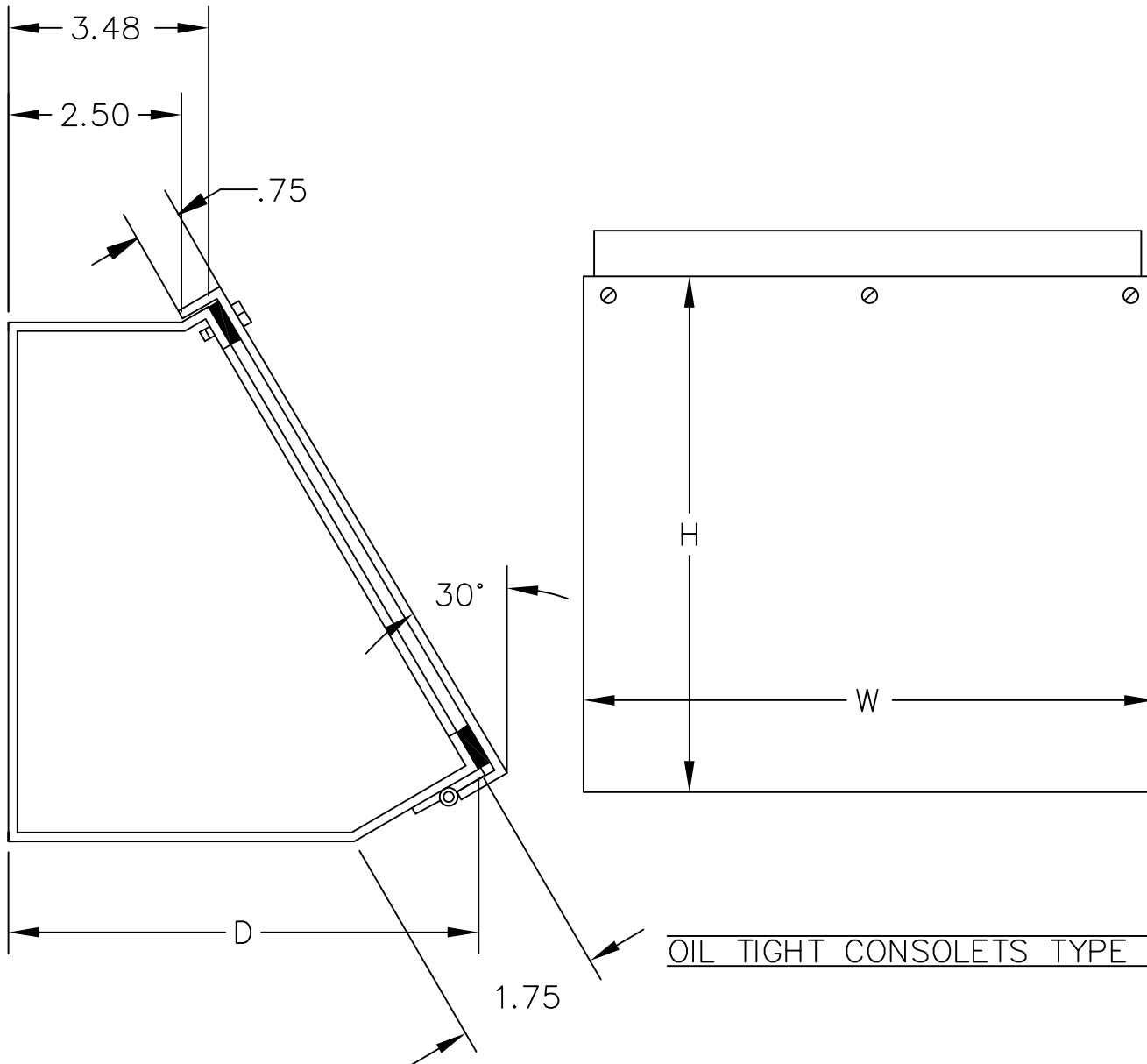


UL LISTED

CANADIAN UL LISTED



CONSTRUCTION:

- 14 GAUGE PAINT GRIP GALVANIZED STEEL.
- SEAMS CONTINUOUSLY WELDED AND GROUND SMOOTH.
- CONTROL PANELS ATTACHED WITH CONTINUOUS HINGE ALONG BOTTOM EDGE.
- OIL-RESISTANT GASKET

FINISH:

- ANSI 61 GRAY POLYESTER POWDER COATING INSIDE AND OUT.

H	W	D

APPROVAL: _____



E-BOX

101 Air Park Industrial Road
Alabaster, Alabama 35007

Phone: (205)663-9189

Fax: (205)663-9587

