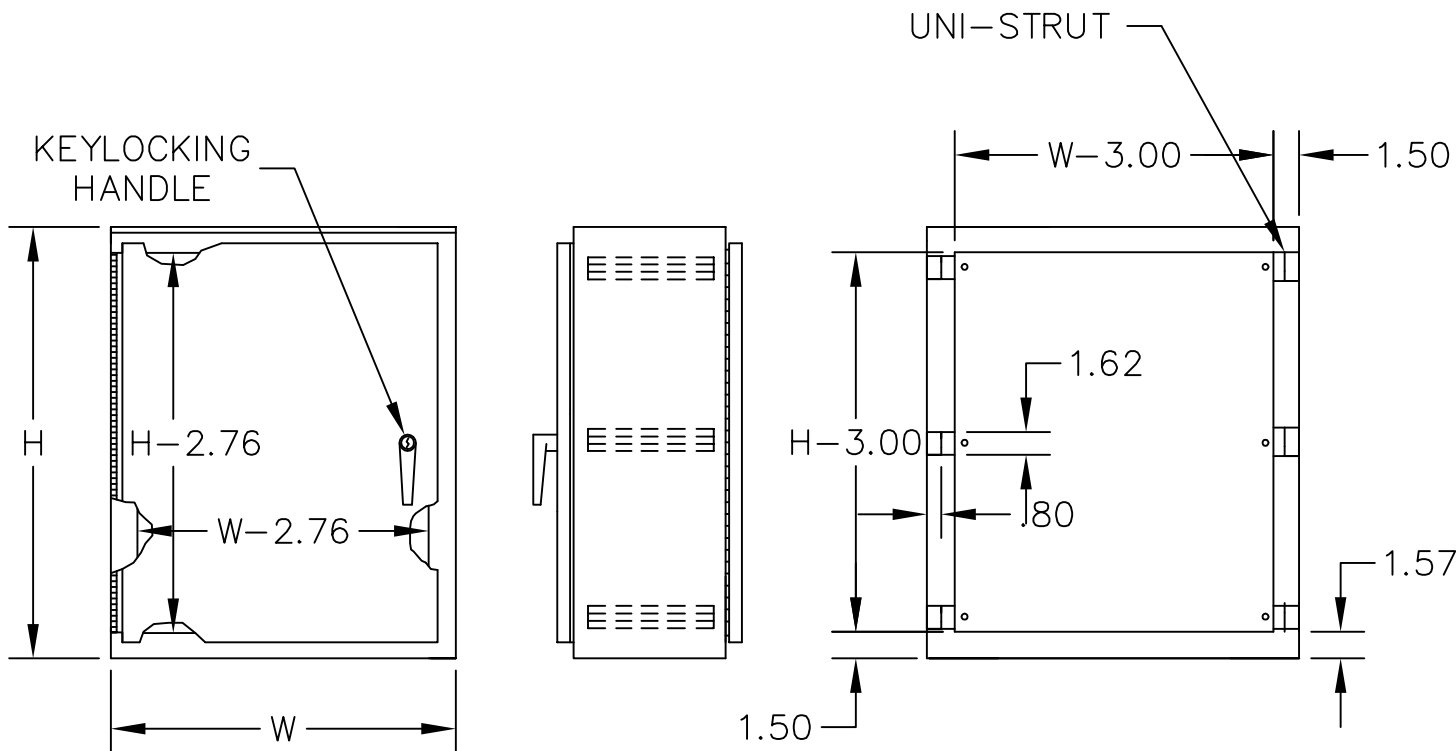


CATALOG # DAN12

UL LISTED

CANADIAN UL LISTED



CONSTRUCTION:

- 14 GAUGE PAINT GRIP GALVANIZED STEEL.
- SEAMS CONTINUOUSLY WELDED AND GROUND SMOOTH.
- 3-POINT LATCHING MECHANISM OPERATED BY OIL-TIGHT KEYLOCKING HANDLE.
- LATCH RODS HAVE ROLLERS FOR EASIER DOOR CLOSING.
- HEAVY GAUGE CONTINUOUS HINGE.
- OIL-RESISTANT GASKET.
- UNI-STRUT PROVIDED FOR MOUNTING OPTIONAL PANEL.

FINISH:

- ANSI 61 POLYESTER POWDER COATING INSIDE AND OUT.

-H-	-W-	-D-

APPROVAL:

SINGLE DOOR DUAL ACCESS TYPE 3R ENCLOSURES



E-BOX
 101 Air Park Industrial Road
 Alabaster, Alabama 35007
 Phone: (205)663-9189
 Fax: (205)663-9587

