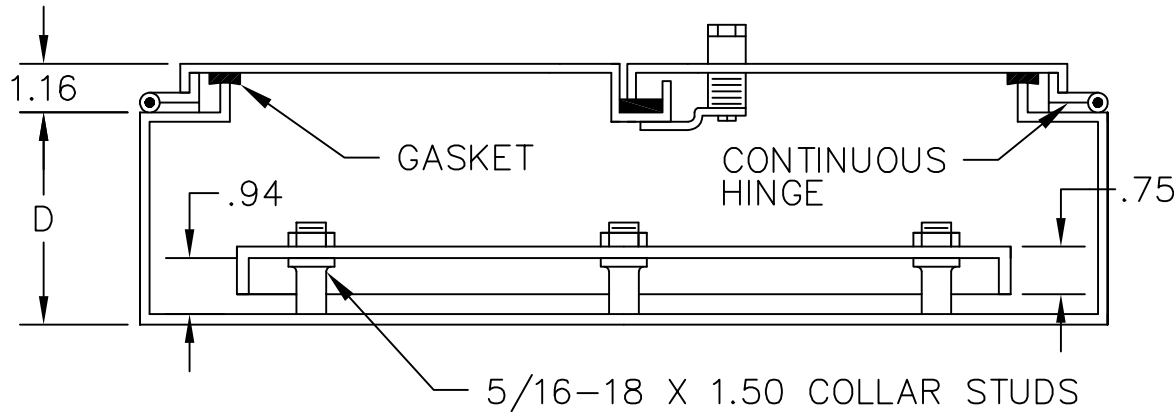


CONSTRUCTION:
 -12 GAUGE STEEL.
 -SEAMS CONTINUOUSLY WELDED AND GROUND SMOOTH.
 -GASKETED OVER-LAPPING DOORS ELIMINATE NEED FOR CENTER POST.
 -3-POINT LATCHING MECHANISM OPERATED BY OIL-TIGHT KEYLOCKING L-HANDLE.
 -LATCH RODS HAVE ROLLERS FOR EASIER DOOR CLOSING.
 -HEAVY GAUGE CONTINUOUS HINGE.
 -PRINT POCKET, PROVIDED ON DOOR WITH 3-POINT LATCH.
 -12 INCH FLOOR STANDS ARE WELDED TO ENCLOSURE.
 -HEAVY-DUTY LIFTING EYES.
 -OIL RESISTANT GASKET.
 -STUDS PROVIDED FOR MOUNTING OPTIONAL PANEL.

FINISH:
 -ANSI 61 GRAY POLYESTER POWDER COATING INSIDE AND OUT.

APPROVAL:



-H-	-W-	-D-


E-BOX
 101 Air Park Industrial Road
 Alabaster, Alabama 35007
 Phone: (205)663-9189
 Fax: (205)663-9587

