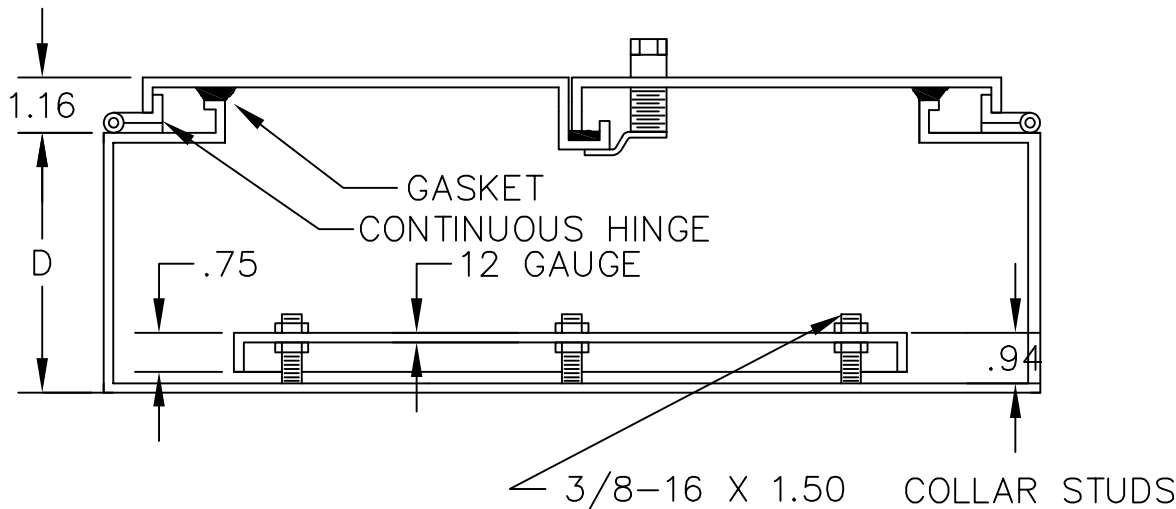


TWO DOOR WALL-MOUNTED TYPE 12 ENCLOSURES



CONSTRUCTION:  
 -12 GAUGE PAINT GRIP GALVANIZED STEEL.  
 -SEAMS CONTINUOUSLY WELDED AND GROUND SMOOTH.  
 -GASKETED OVERLAPPING DOORS ELIMINATE NEED FOR CENTER POST.  
 -3-POINT LATCHING MECHANISM OPERATED BY OIL-TIGHT KEYLOCKING L HANDLE.  
 -LATCH RODS HAVE ROLLERS FOR EASIER DOOR CLOSING.  
 -HEAVY GAUGE CONTINUOUS HINGE.  
 -REMOVABLE PRINT POCKET.  
 -OIL RESISTANT DOOR GASKET.  
 -STUDS PROVIDED FOR MOUNTING OPTIONAL PANEL.

FINISH:  
 -ANSI 61 GRAY POLYESTER POWDER COATING INSIDE AND OUT

-H-	-W-	-D-

APPROVAL:



E-BOX  
 101 Air Park Industrial Road  
 Alabaster, Alabama 35007  
 Phone: (205)663-9189  
 Fax: (205)663-9587

