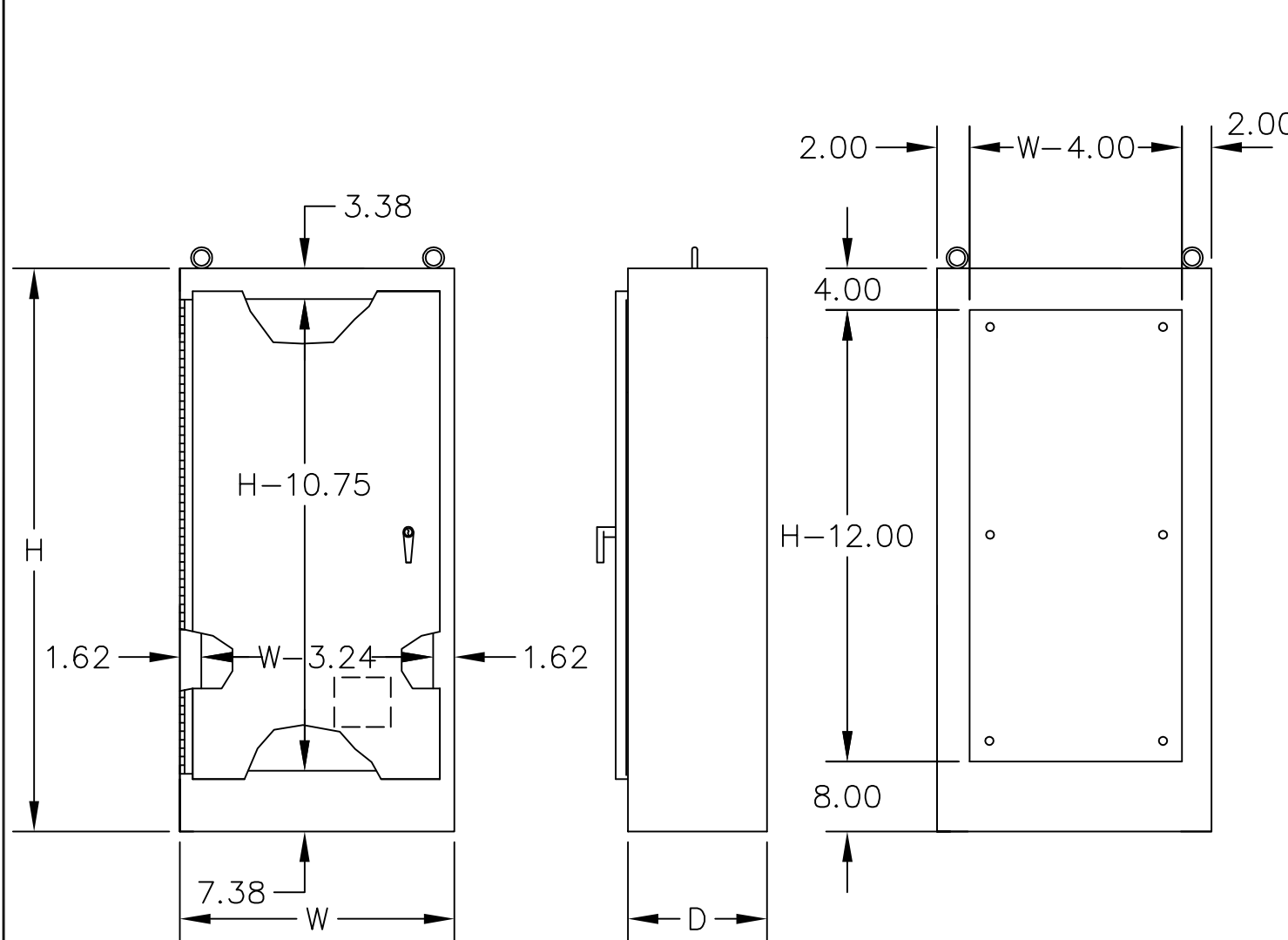


CATALOG#: FN12

UL LISTED

CANADIAN UL LISTED



SINGLE DOOR FREE STANDING TYPE 12 ENCLOSURES

CONSTRUCTION:

- 12 GAUGE STEEL.
- SEAMS CONTINUOUSLY WELDED AND GROUND SMOOTH.
- 3-POINT LATCHING OPERATED BY OILTIGHT KEYLOCKING HANDLE.
- LATCH RODS HAVE ROLLERS FOR EASIER DOOR CLOSING.
- HEAVY GAUGE CONTINUOUS HINGE.
- LIFTING EYES FOR EASY HANDLING.
- REMOVABLE PRINT POCKET.
- OIL RESISTANT DOOR GASKET.
- STUDS PROVIDED FOR MOUNTING OPTIONAL PANEL.

FINISH:

- ANSI 61 GRAY POLYESTER POWDER COATING INSIDE AND OUT.

-H-	-W-	-D-

APPROVAL: \_\_\_\_\_



E-BOX  
 101 Air Park Industrial Road  
 Alabaster, Alabama 35007  
 Phone: (205)663-9189  
 Fax: (205)663-9587

