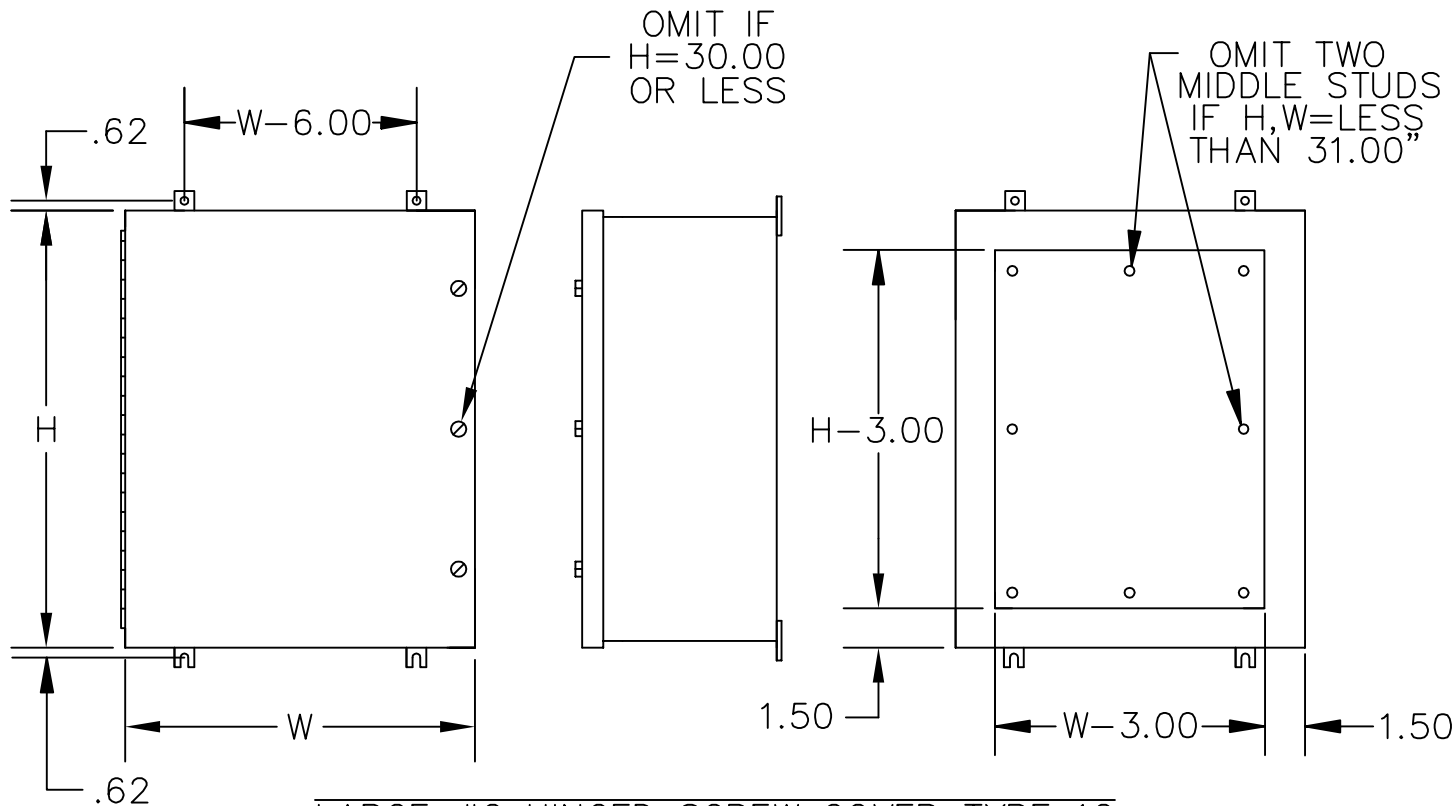


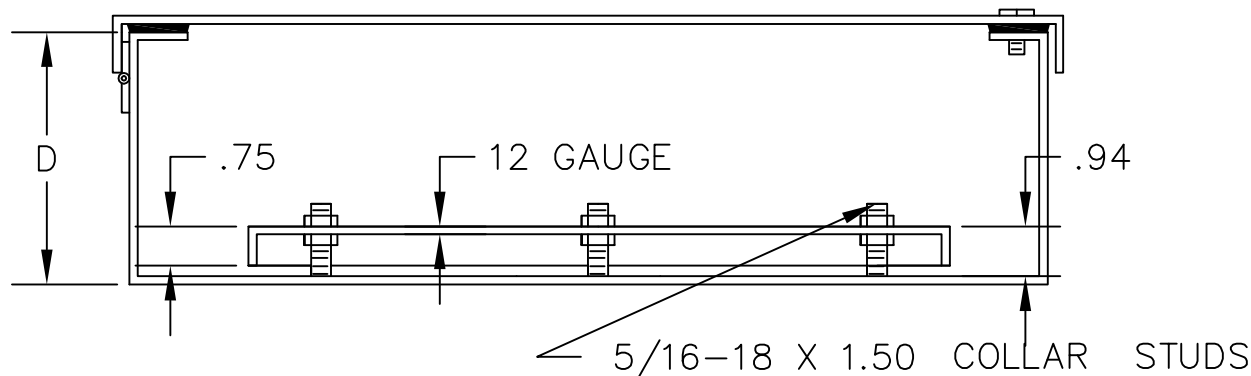
CATALOG#: JHSCN12

UL LISTED

CANADIAN UL LISTED



LARGE JIC HINGED SCREW COVER TYPE 12



CONSTRUCTION:
 - CODE GAUGE PAINT GRIP GALVANIZED STEEL.
 - SEAMS CONTINUOUSLY WELDED AND GROUND SMOOTH.
 - HEAVY GAUGE CONTINUOUS HINGE.
 - OIL-RESISTANT GASKET.
 - STUDS PROVIDED FOR MOUNTING OPTIONAL PANEL.

FINISH:
 - ANSI 61 GRAY POLYESTER POWDER COATING INSIDE AND OUT.

-H-	-W-	-D-

APPROVAL: _____



E-BOX
 101 Air Park Industrial Road
 Alabaster, Alabama 35007
 Phone: (205)663-9189
 Fax: (205)663-9587

