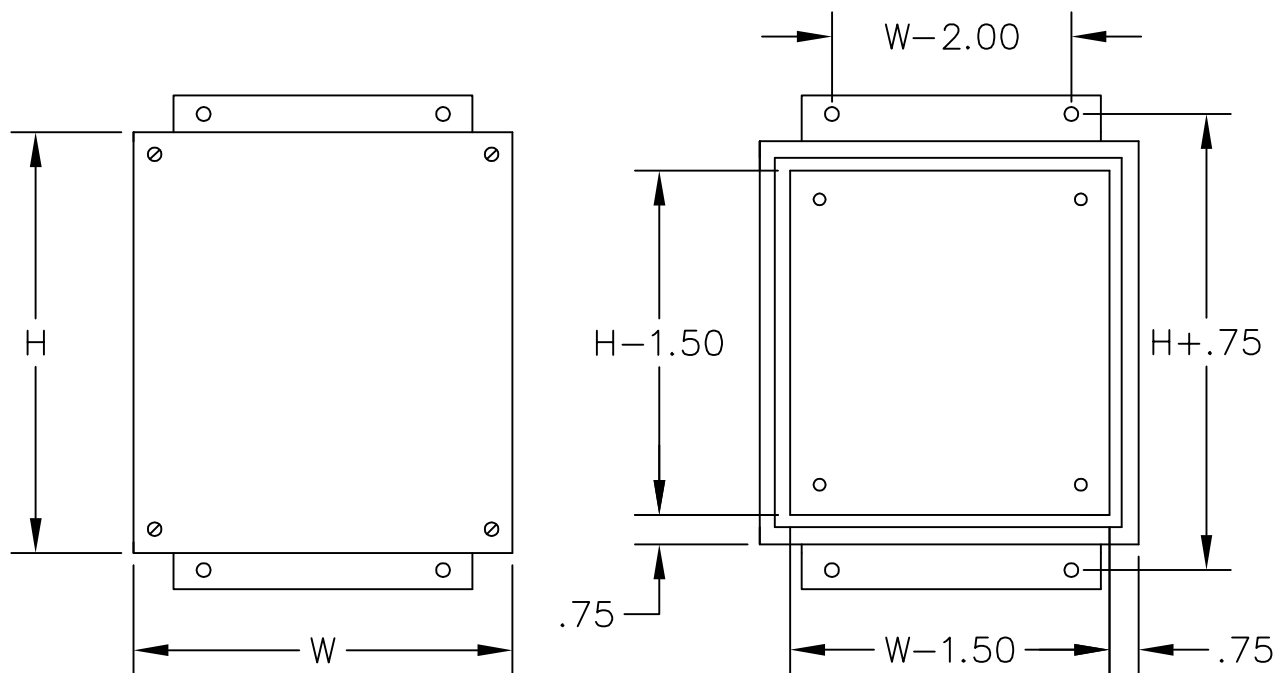


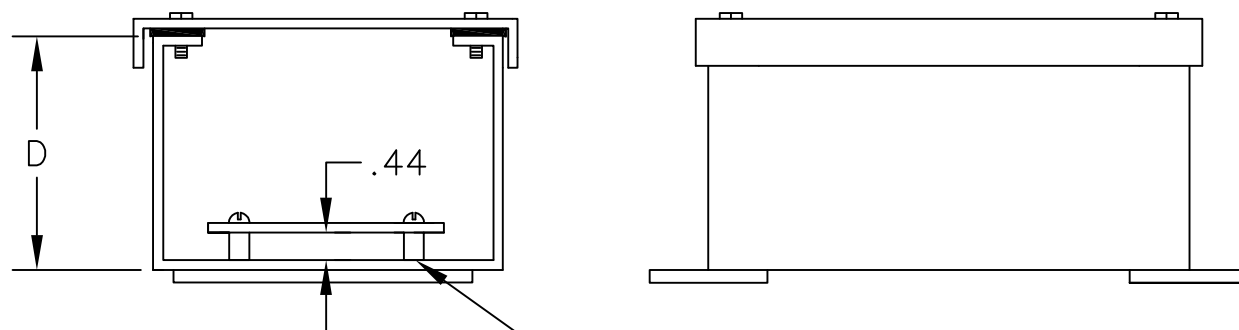
CATALOG#: JSCN12

UL LISTED

CANADIAN UL LISTED



JIC SCREW COVER TYPE 12 AND 13



10-32 X 7/16
STANDOFF STUD

CONSTRUCTION:
 -CODE GAUGE PAINT
 GRIP GALVANIZED STEEL.
 -SEAMS CONTINUOUSLY
 WELDED AND GROUND
 SMOOTH.
 -OIL-RESISTANT GASKET.
 -OPTIONAL PANEL.

FINISH:
 -ANSI 61 GRAY POLYESTER
 POWDER COATING INSIDE
 AND OUT.

| -H- | -W- | -D- |
|-----|-----|-----|
| | | |
| | | |
| | | |
| | | |

APPROVAL:



E-BOX
 101 Air Park Industrial Road
 Alabaster, Alabama 35007
 Phone: (205)663-9189
 Fax: (205)663-9587

