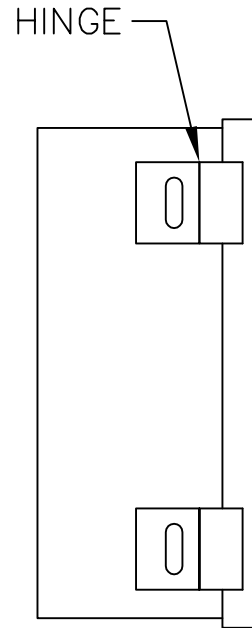
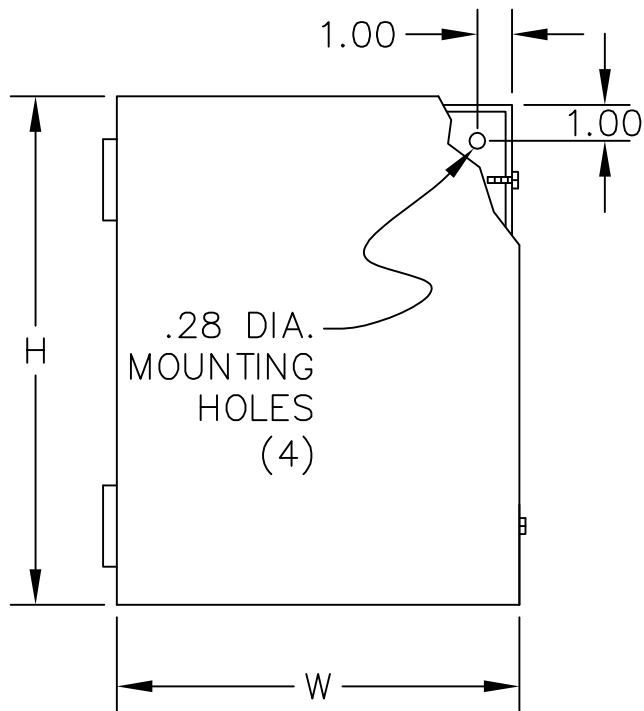


CATALOG SUFFIX HC

UL LISTED

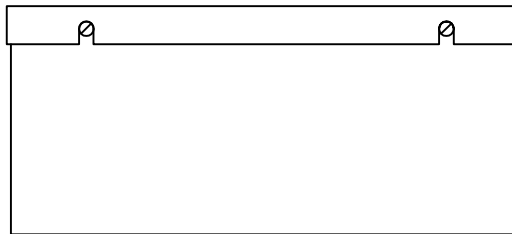
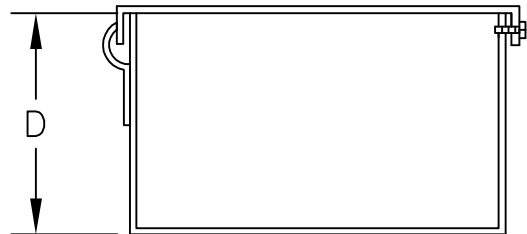
CANADIAN UL LISTED



CONSTRUCTION:
 -FABRICATED IN ACCORDANCE WITH UL SPECIFICATIONS FROM CODE GAUGE STEEL.
 -HINGE COVERS ARE FASTENED WITH STEEL PLATED SCREWS.

FINISH:
 -HINGE COVER BOXES ARE PROVIDED IN G-90U GALVANIZED AND ANSI 61 GRAY POLYESTER COATING.

TYPE 1 HINGE COVER



-H-	-W-	-D-

APPROVAL: _____



E-BOX
 101 Air Park Industrial Road
 Alabaster, Alabama 35007
 Phone: (205)663-9189
 Fax: (205)663-9587

