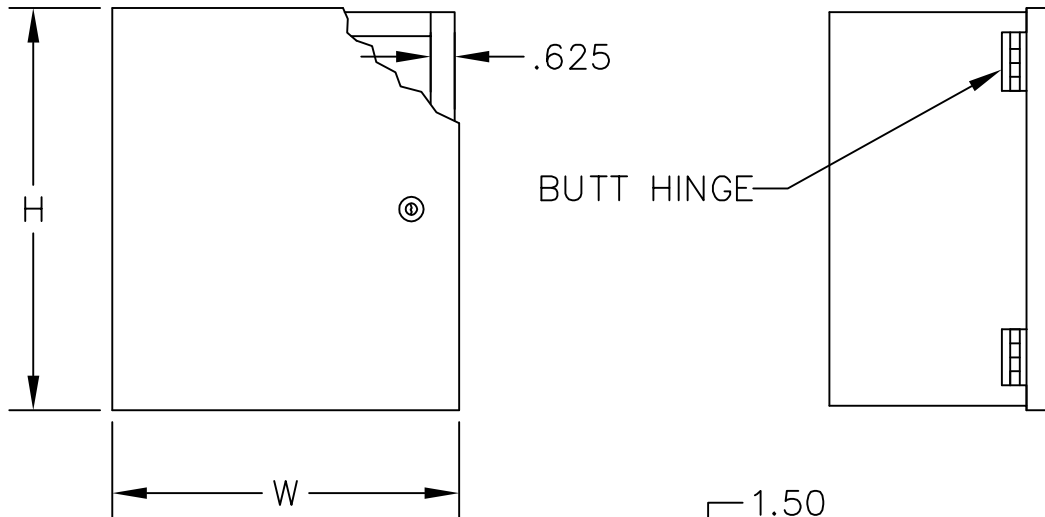


CATALOG # HL

UL LISTED

CANADIAN UL LISTED

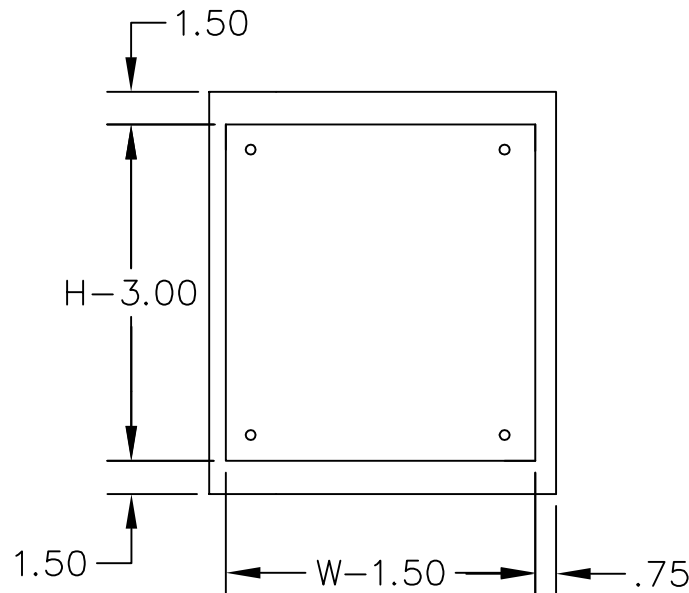
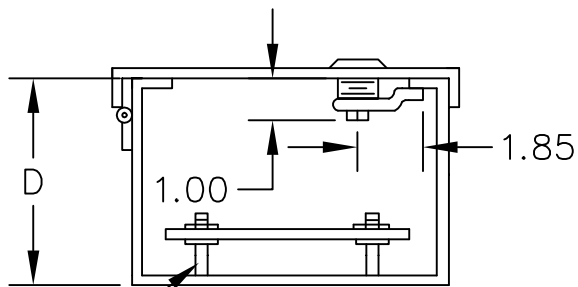


CONSTRUCTION:
 -14 GAUGE PAINT GRIP GALVANIZED STEEL.
 -BUTT HINGE.
 -NEARLY FLUSH NONLOCKING LATCH, HOLDS DOOR SECURELY CLOSED.
 -REMOVABLE PAINTED PANEL.

FINISH:
 -ANSI 61 GRAY POLYESTER POWDER COATING INSIDE AND OUT.

H	W	D

TYPE 1 PANEL ENCLOSURES



5/16-18 X 1.50 THREADED STUDS

APPROVAL: _____



E-BOX
 101 Air Park Industrial Road
 Alabaster, Alabama 35007
 Phone: (205)663-9189
 Fax: (205)663-9587

