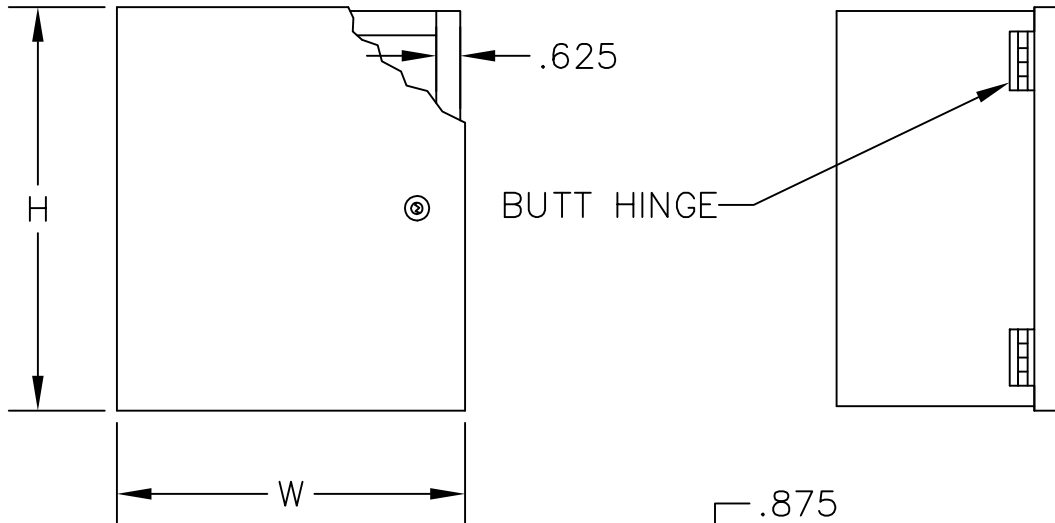


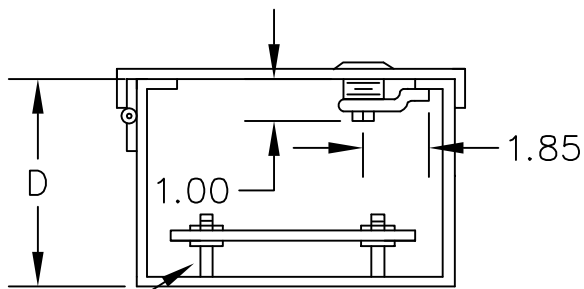
CATALOG# HL

UL LISTED

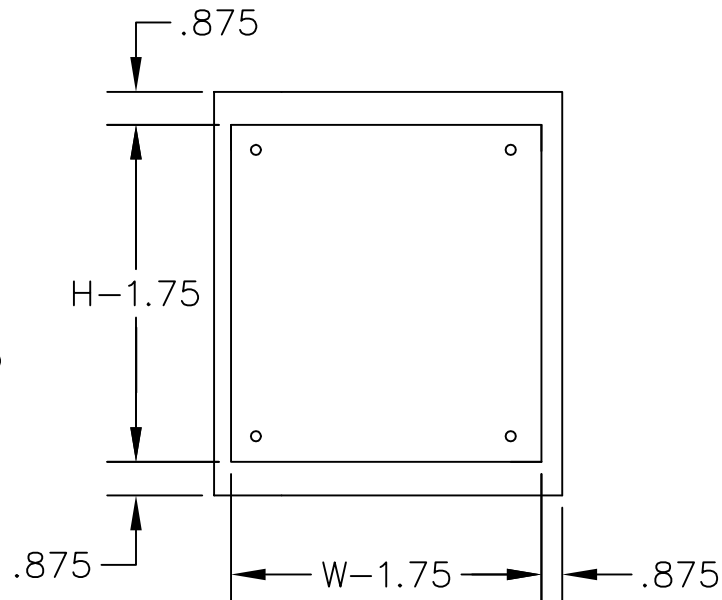
CANADIAN UL LISTED



TYPE 1 PANEL ENCLOSURES



10-32 THREADED STUD



CONSTRUCTION:

- 16 GAUGE PAINT GRIP GALVANIZED STEEL.
- BUTT HINGE.
- NEARLY FLUSH NONLOCKING LATCH, HOLDS DOOR SECURELY CLOSED.
- REMOVABLE PAINTED PANEL.

FINISH:

- ANSI 61 GRAY POLYESTER POWDER COATING INSIDE AND OUT.

H	W	D

APPROVAL:



E-BOX
 101 Air Park Industrial Road
 Alabaster, Alabama 35007
 Phone: (205)663-9189
 Fax: (205)663-9587

