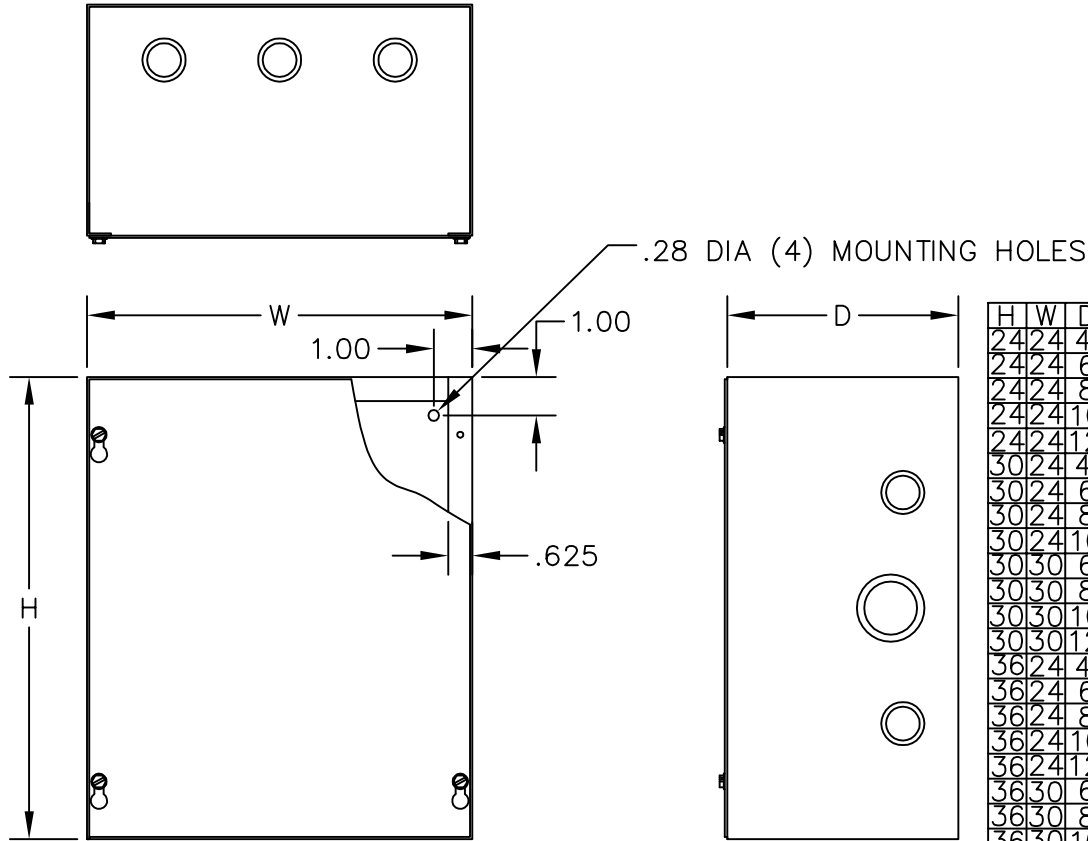


CATALOG SUFFIX SCKO

UL LISTED

CANADIAN UL LISTED



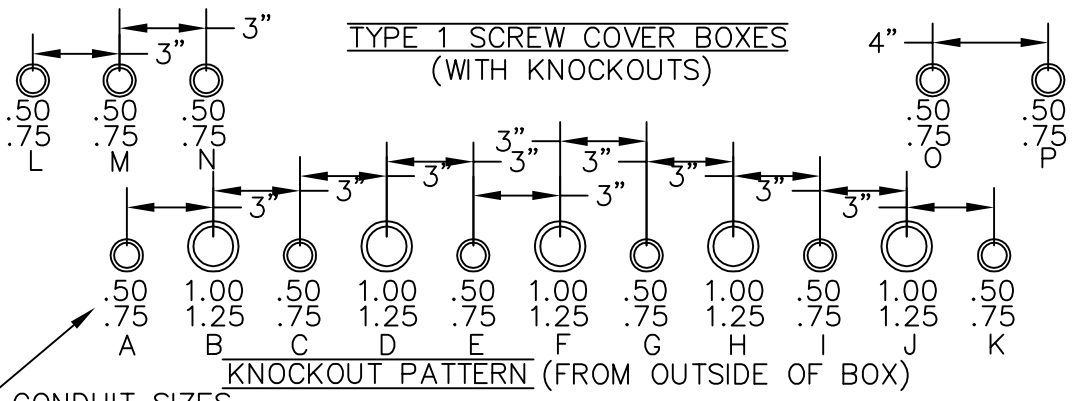
KNOCKOUT PATTERN				
H	W	D	ALONG H	ALONG W
24	24	4	ABCDEFG	ABCDEFG
24	24	6	ABCDEFG	ABCDEFG
24	24	8	ABCDEFG	ABCDEFG
24	24	10	ABCDEFG	ABCDEFG
24	24	12	ABCDEFG	ABCDEFG
30	24	4	ABCDEFGHI	ABCDEFG
30	24	6	ABCDEFGHI	ABCDEFG
30	24	8	ABCDEFGHI	ABCDEFG
30	24	10	ABCDEFGHI	ABCDEFG
30	30	6	ABCDEFGHI	ABCDEFGHI
30	30	8	ABCDEFGHI	ABCDEFGHI
30	30	10	ABCDEFGHI	ABCDEFGHI
30	30	12	ABCDEFGHI	ABCDEFGHI
36	24	4	ABCDEFGHIJK	ABCDEFG
36	24	6	ABCDEFGHIJK	ABCDEFG
36	24	8	ABCDEFGHIJK	ABCDEFG
36	24	10	ABCDEFGHIJK	ABCDEFG
36	24	12	ABCDEFGHIJK	ABCDEFG
36	30	6	ABCDEFGHIJK	ABCDEFGHI
36	30	8	ABCDEFGHIJK	ABCDEFGHI
36	30	10	ABCDEFGHIJK	ABCDEFGHI
36	30	12	ABCDEFGHIJK	ABCDEFGHI

APPLICATION:
 -DESIGNED FOR USE AS JUNCTION BOXES AND PULL BOXES. FOR FLUSH INSTALLATIONS, FLUSH COVERS AND TELEPHONE FRONTS MUST BE ORDERED SEPARATELY.

CONSTRUCTION:
 -FABRICATED IN ACCORDANCE WITH UL SPECIFICATIONS FROM CODE GAUGE STEEL.
 -FLAT, REMOVABLE COVERS FASTENED WITH PLATED STEEL SCREWS.
 -KEYHOLE SCREW SLOTS IN THE COVER PERMIT REMOVAL OF THE COVER WITHOUT EXTRACTING THE SCREWS.
 -VARIOUS SIZES OF EASILY REMOVABLE CONCENTRIC KNOCKOUTS ON ALL FOUR SIDES.
 -MOUNTING HOLES ON BACK OF BOX.

FINISH:
 -SCREW COVER BOXES ARE PROVIDED IN G-90U GALVANIZED AND ANSI 61 GRAY POLYESTER POWDER COATING.

APPROVAL: _____



E
 E-BOX
 101 Air Park Industrial Road
 Alabaster, Alabama 35007
 Phone: (205)663-9189
 Fax: (205)663-9587

