

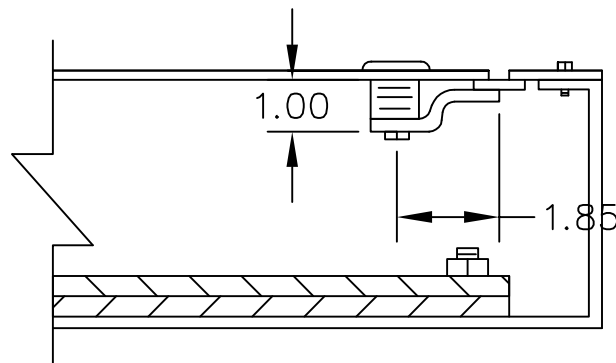
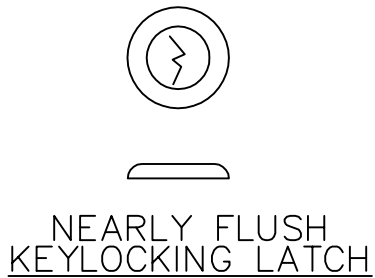
CONSTRUCTION:
 -14 GAUGE PAINT GRIP GALVANIZED STEEL.
 -REMOVABLE TRIM.
 -CONTINUOUS HINGE.
 -OPTIONAL 3/4 PLYWOOD PANEL.
 -KEYHOLE SCREW SLOTS IN THE COVER PERMIT THE REMOVAL OF THE COVER WITHOUT EXTRACTING THE SCREWS.
 -OPTIONAL PLYWOOD PANEL.

FINISH:
 -CABINETS ARE FURNISHED STANDARD WITH AN ANSI 61 GRAY POLYESTER COATED TELEPHONE FRONT AND A GALVANIZED BACK BOX.

TYPE 1 TELEPHONE CABINETS

CODE GAUGE BACK BOX

-H-	-W-	-D-



SURFACE MOUNT

APPROVAL: _____



ELECTRICAL BOX & ENCLOSURES, INC.
 101 Air Park Industrial Road
 Alabaster, Alabama 35007
 Phone: (205)663-9189
 Fax: (205)663-9587

