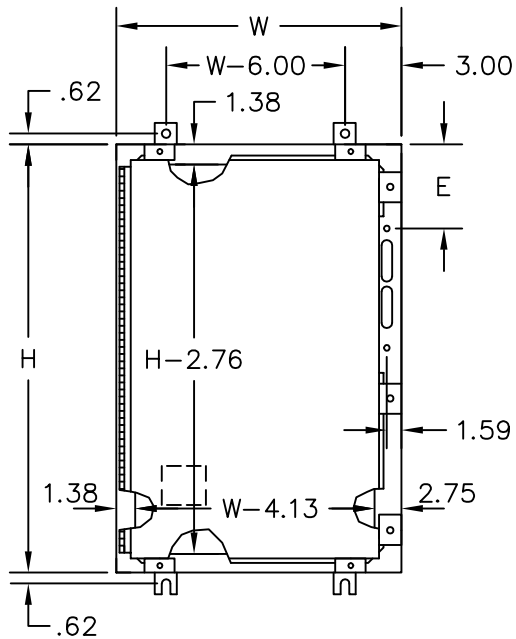
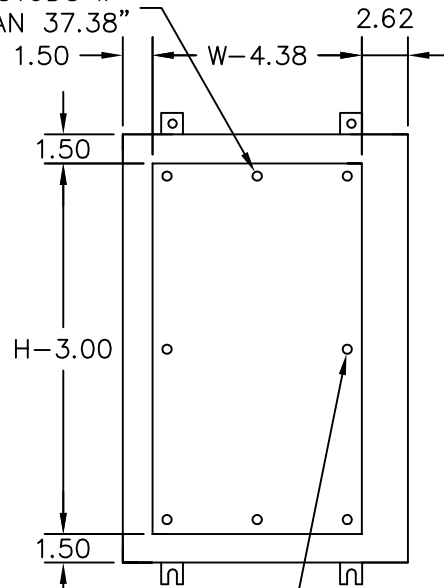


UL LISTED CANADIAN UL LISTED

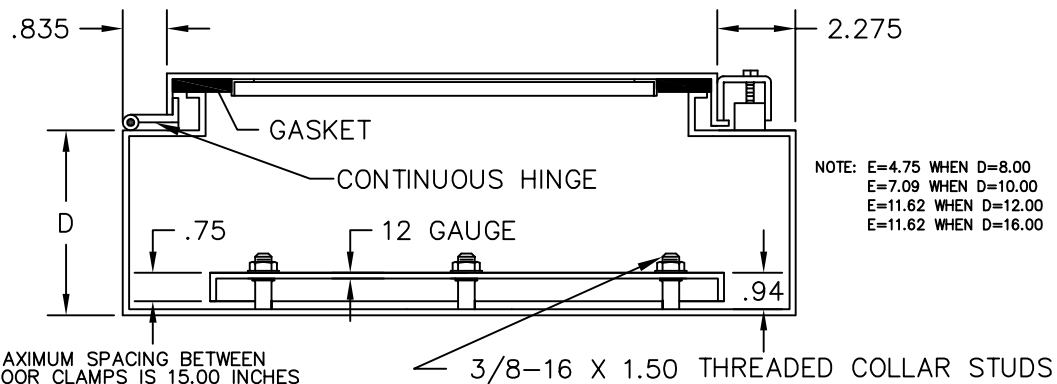
OMIT MIDDLE STUDS IF  
W IS LESS THAN 37.38"



OMIT MIDDLE STUDS IF  
H IS LESS THAN 36.00"



**TYPE 4 ENCLOSURES FOR FLANGE MOUNTED DISCONNECTS**



NOTE: MAXIMUM SPACING BETWEEN  
DOOR CLAMPS IS 15.00 INCHES

DESIGNED TO HOUSE THE FOLLOWING:

- ALLEN-BRADLEY**
  - BULLETIN 1494V DISCONNECT SWITCHES WITH FLANGE-MOUNTED OPERATING MECHANISMS AND BULLETIN 1494V FLANGE-MOUNTED VARIABLE-DEPTH OPERATING MECHANISMS FOR CIRCUIT BREAKERS.
  - BULLETIN 140U FLEXIBLE CABLE OPERATING MECHANISMS FOR 140U MOLDED CASE CIRCUIT BREAKERS.
  - BULLETIN 1494C CABLE-OPERATED DISCONNECT SWITCHES WITH FLANGE-MOUNTED HANDLES.
  - BULLETIN 194RC CABLE-OPERATED FLANGE-MOUNTED HANDLES FOR USE WITH THE NFPA 79 COMPLIANT 194R IEC ROTARY DISCONNECT SWITCHES.
- ABB CONTROLS**
  - FLANGE-MOUNTED VARIABLE-DEPTH OPERATING MECHANISMS FOR DISCONNECT SWITCHES AND CIRCUIT BREAKERS. ALSO THE CABLE VERSION FOR CIRCUIT BREAKERS.
- EATON CUTLER-HAMMER**
  - TYPE C361 FLANGE-MOUNTED VARIABLE-DEPTH OPERATING MECHANISMS FOR DISCONNECT SWITCHES AND TYPE C371 FLANGE-MOUNTED VARIABLE-DEPTH OPERATING MECHANISMS FOR CIRCUIT BREAKERS.
- GENERAL ELECTRIC**
  - TYPE STDA FLANGE HANDLES AND VARIABLE-DEPTH OPERATING MECHANISMS FOR DISCONNECT SWITCHES AND CIRCUIT BREAKERS. ALSO SPECTRA FLEX™ CABLE OPERATORS FOR CIRCUIT BREAKERS.
- SIEMENS ITE**
  - MAX-FLEX™ FLANGE MOUNTED VARIABLE-DEPTH OPERATING HANDLES FOR CIRCUIT BREAKERS.
- SCHNEIDER SQUARE D®**
  - CLASS 9422 DISCONNECT SWITCHES WITH FLANGE-MOUNTED VARIABLE-DEPTH OPERATING MECHANISMS OR CABLE MECHANISMS AND CLASS 9422 FLANGE-MOUNTED VARIABLE-DEPTH OPERATING MECHANISMS FOR CIRCUIT BREAKERS.

CONSTRUCTION:

- 14 GAUGE PAINT GRIP GALVANIZED STEEL.
- SEAMS CONTINUOUSLY WELDED AND GROUND SMOOTH.
- DOOR CLAMPS ON THREE SIDES OF DOOR.
- ROLLED LIP AROUND ALL SIDES OF ENCLOSURE. OPENING EXCLUDES LIQUIDS AND CONTAMINANTS
- OIL RESISTANT DOOR GASKET.
- STUDS PROVIDED FOR MOUNTING OPTIONAL PANEL.
- REMOVABLE PRINT POCKET.
- HOLES IN BODY FOR MOUNTING OPERATING HANDLE AND OPERATING MECHANISM.

FINISH:

- ANSI 61 GRAY POLYESTER POWDER COATING INSIDE AND OUT.

-H-	-W-	-D-	-E-

APPROVAL:



E-BOX  
101 Air Park Industrial Road  
Alabaster, Alabama 35007  
Phone: (205)663-9189  
Fax: (205)663-9587