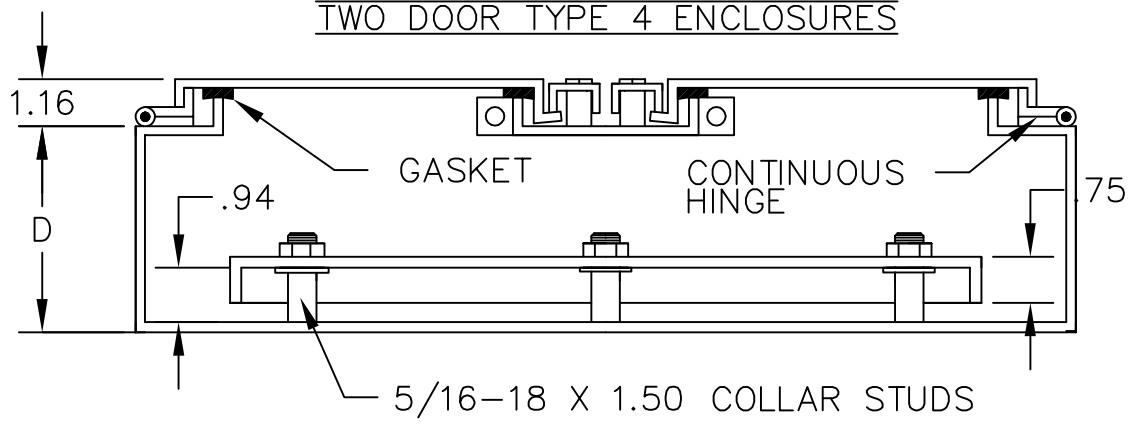


TWO DOOR TYPE 4 ENCLOSURES



CONSTRUCTION:

- 12 GAUGE STEEL.
- SEAMS CONTINUOUSLY WELDED AND GROUND SMOOTH.
- REMOVABLE CENTERPOST FOR EASY PANEL INSTALLATION.
- HEAVY-DUTY LIFTING EYES.
- SCREWS AND CLAMPS ON THREE SIDES OF EACH DOOR ASSURE WATERTIGHT SEAL.
- HEAVY GAUGE CONTINUOUS HINGE.
- 12 INCH FLOOR STANDS ARE WELDED TO ENCLOSURE.
- TONGUE AND HASP FOR PADLOCKING.
- REMOVABLE PRINT POCKET.
- OIL RESISTANT GASKET.
- STUDS PROVIDED FOR MOUNTING OPTIONAL PANEL.

FINISH:

- ANSI 61 POLYESTER POWDER COATING INSIDE AND OUT.

-H-	-W-	-D-

APPROVAL:



E-BOX  
 101 Air Park Industrial Road  
 Alabaster, Alabama 35007  
 Phone: (205)663-9189  
 Fax: (205)663-9587

