

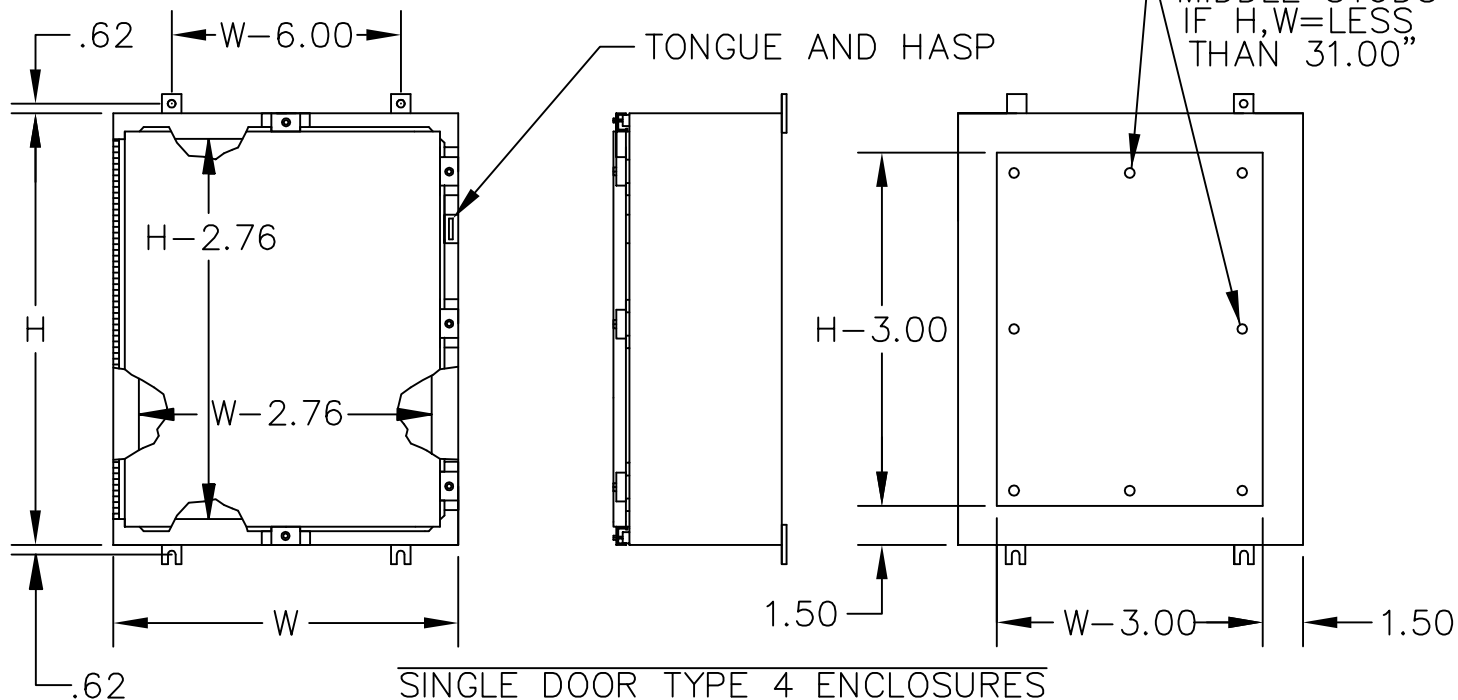
CATALOG#: N4

UL LISTED

CANADIAN UL LISTED

NOTE: MAXIMUM SPACING BETWEEN DOOR CLAMPS IS 15.00 INCHES

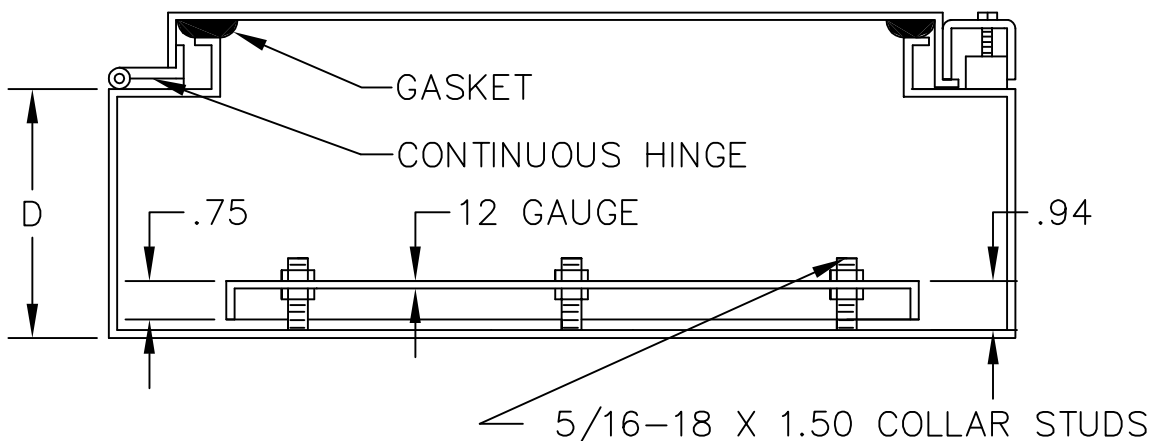
OMIT TWO MIDDLE STUDS IF H,W=LESS THAN 31.00"



CONSTRUCTION:
 -CODE GAUGE PAINT GRIP GALVANIZED STEEL.
 -SEAMS CONTINUOUSLY WELDED AND GROUND SMOOTH.
 -DOOR CLAMPS ON THREE SIDES OF DOOR.
 -HEAVY GAUGE CONTINUOUS HINGE.
 -TONGUE AND HASP FOR PADLOCKING.
 -OIL-RESISTANT GASKET.
 -STUDS PROVIDED FOR MOUNTING OPTIONAL PANEL.

FINISH:
 -ANSI 61 GRAY POLYESTER POWDER COATING INSIDE AND OUT.

H	W	D



APPROVAL:



E-BOX
 101 Air Park Industrial Road
 Alabaster, Alabama 35007
 Phone: (205)663-9189
 Fax: (205)663-9587

