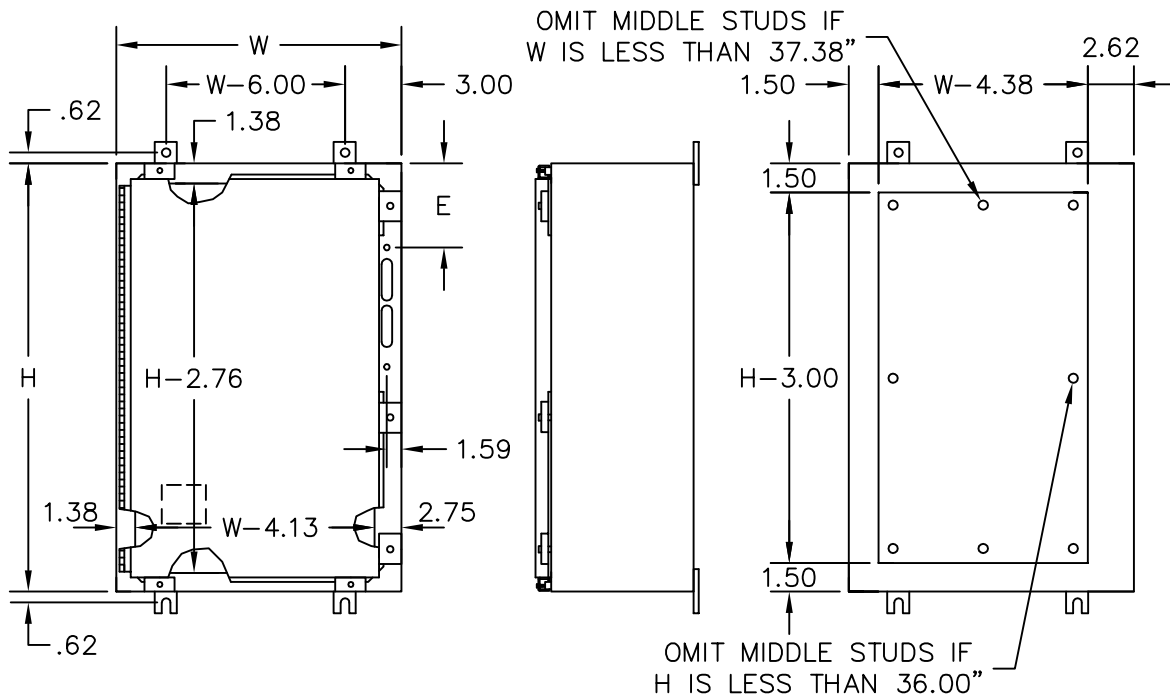


UL LISTED CANADIAN UL LISTED



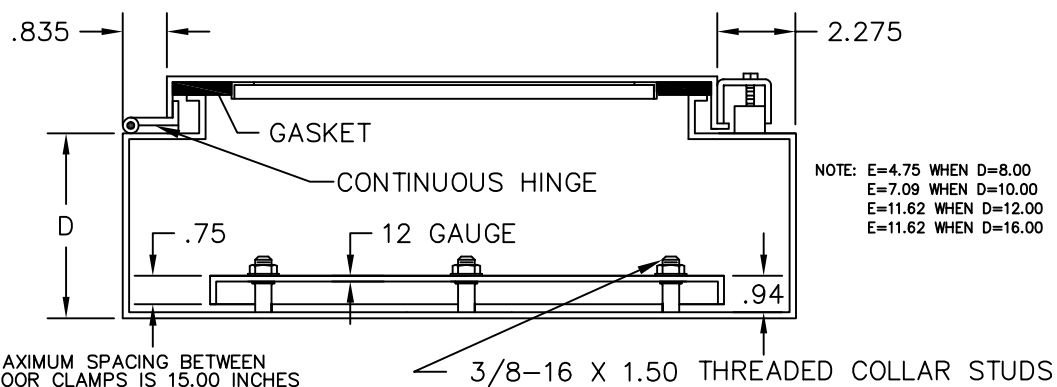
DESIGNED TO HOUSE THE FOLLOWING:

- ALLEN-BRADLEY
- BULLETIN 1494V DISCONNECT SWITCHES WITH FLANGE-MOUNTED OPERATING MECHANISMS AND BULLETIN 1494V FLANGE-MOUNTED VARIABLE-DEPTH OPERATING MECHANISMS FOR CIRCUIT BREAKERS.
- BULLETIN 140U FLEXIBLE CABLE OPERATING MECHANISMS FOR 140U MOLDED CASE CIRCUIT BREAKERS.
- BULLETIN 1494C CABLE-OPERATED DISCONNECT SWITCHES WITH FLANGE-MOUNTED HANDLES.
- BULLETIN 194RC CABLE-OPERATED FLANGE-MOUNTED HANDLES FOR USE WITH THE NFPA 79 COMPLIANT 194R IEC ROTARY DISCONNECT SWITCHES.
- ABB CONTROLS
- FLANGE-MOUNTED VARIABLE-DEPTH OPERATING MECHANISMS FOR DISCONNECT SWITCHES AND CIRCUIT BREAKERS. ALSO THE CABLE VERSION FOR CIRCUIT BREAKERS.
- EATON CUTLER-HAMMER
- TYPE C361 FLANGE-MOUNTED VARIABLE-DEPTH OPERATING MECHANISMS FOR DISCONNECT SWITCHES AND TYPE C371 FLANGE-MOUNTED VARIABLE-DEPTH OPERATING MECHANISMS FOR CIRCUIT BREAKERS.
- GENERAL ELECTRIC
- TYPE STDA FLANGE HANDLES AND VARIABLE-DEPTH OPERATING MECHANISMS FOR DISCONNECT SWITCHES AND CIRCUIT BREAKERS. ALSO SPECTRA FLEX™ CABLE OPERATORS FOR CIRCUIT BREAKERS.
- SIEMENS ITE
- MAX-FLEX™ FLANGE MOUNTED VARIABLE-DEPTH OPERATING HANDLES FOR CIRCUIT BREAKERS.
- SCHNEIDER SQUARE D®
- CLASS 9422 DISCONNECT SWITCHES WITH FLANGE-MOUNTED VARIABLE-DEPTH OPERATING MECHANISMS OR CABLE MECHANISMS AND CLASS 9422 FLANGE-MOUNTED VARIABLE-DEPTH OPERATING MECHANISMS FOR CIRCUIT BREAKERS.

- CONSTRUCTION:**
- 14 GAUGE TYPE 304 STAINLESS STEEL.
  - SEAMS CONTINUOUSLY WELDED AND GROUND SMOOTH.
  - STAINLESS STEEL DOOR CLAMPS ON THREE SIDES OF DOOR.
  - ROLLED LIP AROUND ALL SIDES OF ENCLOSURE. OPENING EXCLUDES LIQUIDS AND CONTAMINANTS
  - OIL RESISTANT DOOR GASKET.
  - STUDS PROVIDED FOR MOUNTING OPTIONAL PANEL.
  - REMOVABLE PRINT POCKET.
  - HOLES IN BODY FOR MOUNTING OPERATING HANDLE AND OPERATING MECHANISM.
- FINISH:**
- ENCLOSURES ARE UNPAINTED AND HAVE A NUMBER 3 SMOOTH BRUSHED FINISH.

-H-	-W-	-D-	-E-

STAINLESS STEEL TYPE 4X ENCLOSURES FOR FLANGE MOUNTED DISCONNECTS



NOTE: MAXIMUM SPACING BETWEEN DOOR CLAMPS IS 15.00 INCHES

APPROVAL:



E-BOX  
101 Air Park Industrial Road  
Alabaster, Alabama 35007  
Phone: (205)663-9189  
Fax: (205)663-9587