

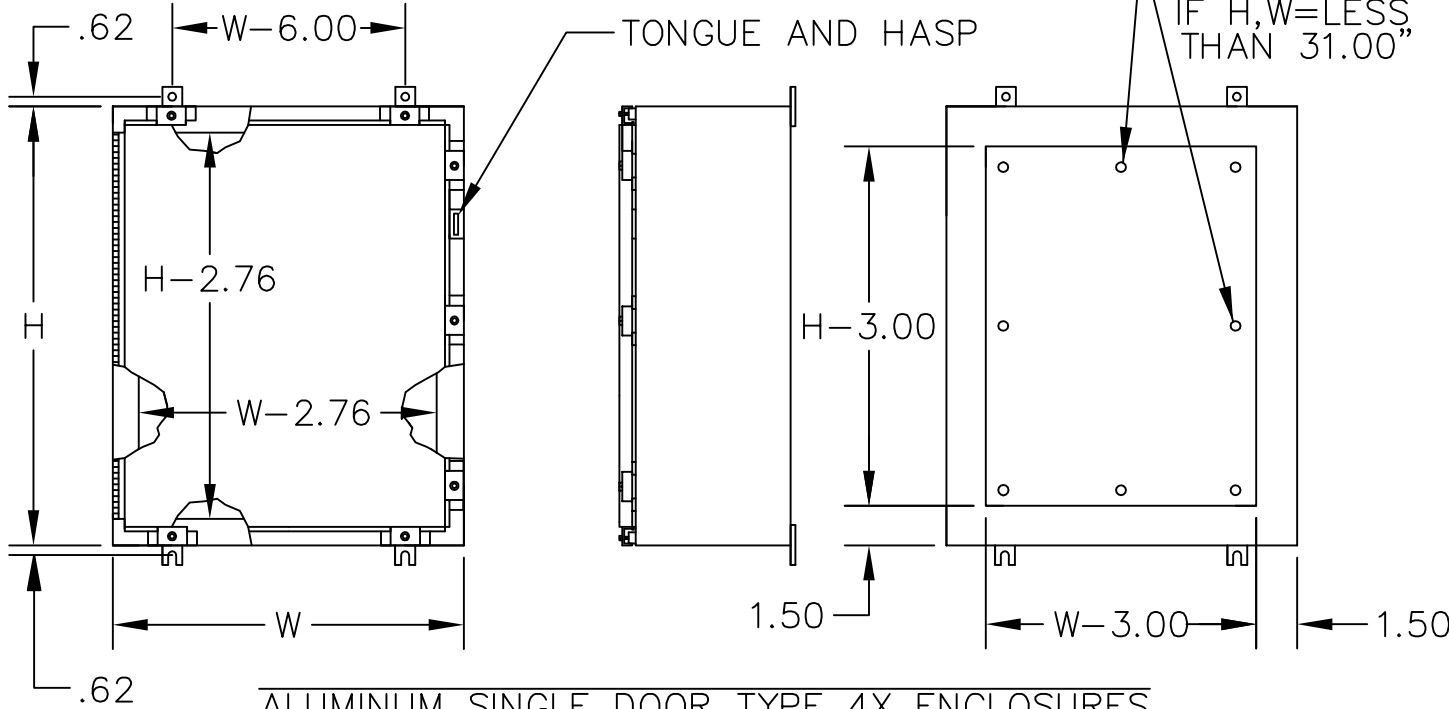
CATALOG#: AN4X

UL LISTED

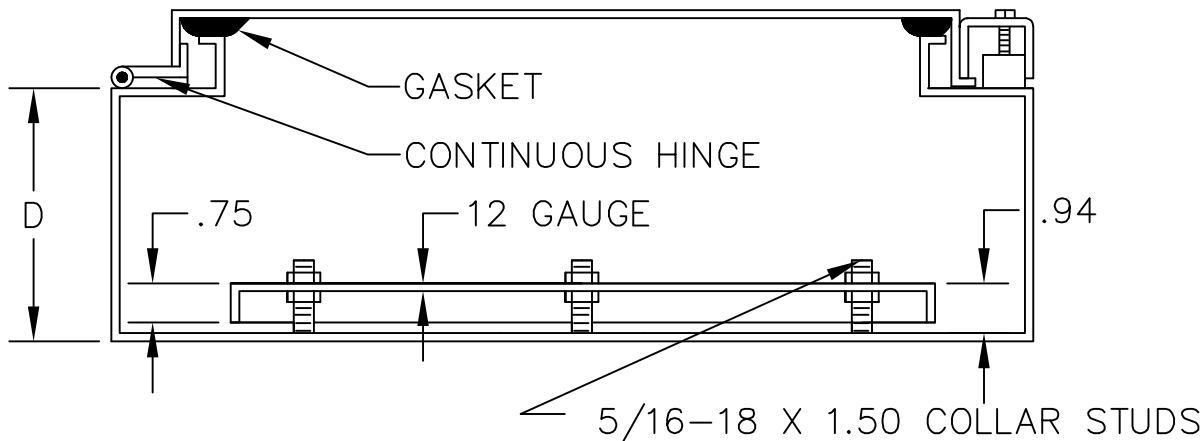
CANADIAN UL LISTED

NOTE: MAXIMUM SPACING BETWEEN DOOR CLAMPS ARE 15.00 INCHES

OMIT TWO MIDDLE STUDS IF H,W=LESS THAN 31.00"



ALUMINUM SINGLE DOOR TYPE 4X ENCLOSURES



CONSTRUCTION:

- TYPE 5052 H-32 .080 ALUMINUM.
- SEAMS CONTINUOUSLY WELDED AND GROUND SMOOTH.
- STAINLESS STEEL SCREWS AND CLAMPS ON THREE SIDES OF COVER ASSURE WATERTIGHT SEAL.
- ALUMINUM CONTINUOUS HINGE.
- OIL-RESISTANT GASKET.
- TONGUE AND HASP FOR PADLOCKING.
- STUDS PROVIDED FOR MOUNTING OPTIONAL PANEL.

FINISH:

- ENCLOSURES ARE UNPAINTED AND HAVE A EB&E BRUSHED FINISH.

H	W	D

APPROVAL:



E-BOX
 101 Air Park Industrial Road
 Alabaster, Alabama 35007
 Phone: (205)663-9189
 Fax: (205)663-9587

