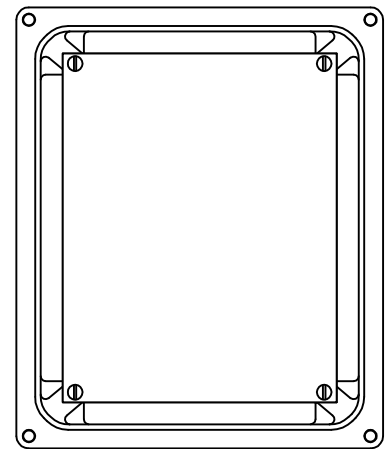
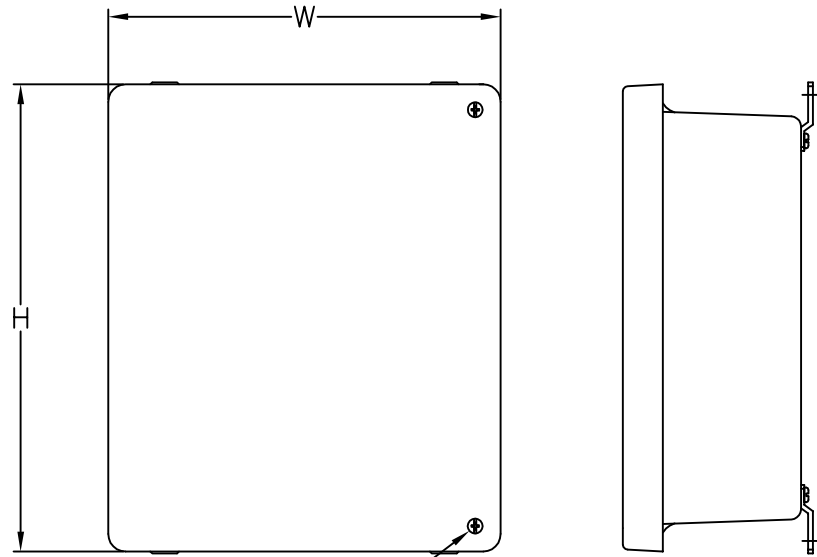


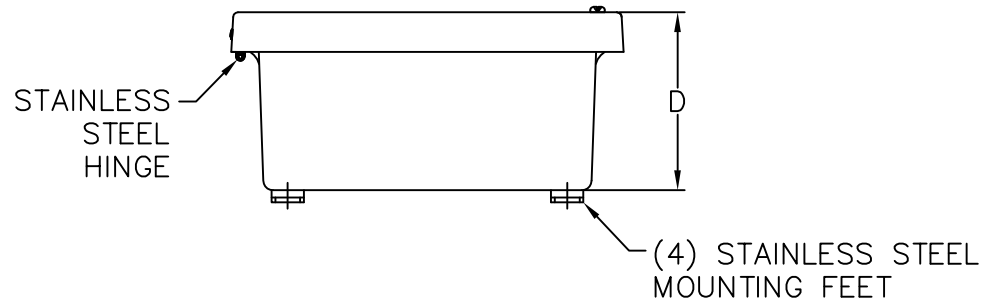
CATALOG#: NJHSC



FRONT VIEW WITH LID REMOVED

(2) EACH #10-32 BRASS INSERTS AND STAINLESS STEEL CAPTIVE COVER SCREWS

NON-METALLIC TYPE 4X HINGED SCREW COVER BOXES



CONSTRUCTION:

- STRONG MOLDED FIBERGLASS REINFORCED POLYESTER CONSTRUCTION WITH MATCHING COVER.
- CAPTIVE STAINLESS STEEL COVER SCREWS.
- CONTINUOUS STAINLESS STEEL HINGE.
- GASKET MATERIAL MADE OF CLOSED-CELL NEOPRENE CORD.
- STAINLESS STEEL WALL MOUNTING HARDWARE WITH 10-32 STAINLESS STEEL SCREWS INCLUDED.
- 10-32 THREADED INSERTS ARE INSTALLED FOR OPTIONAL BACK PANEL OR TERMINAL KITS.
- FIBERGLASS MATERIAL IS EASILY PUNCHED, DRILLED, OR SAWED.
- UV STABILIZED MATERIAL FOR OUTDOOR USE.

CATALOG#	-H-	-W-	-D-
NJHSC664	6.10	6.10	4.18
NJHSC864	8.00	6.13	4.13
NJHSC1086	10.14	8.26	6.13
NJHSC12106	12.14	10.26	6.13
NJHSC14126	14.13	12.25	6.13

APPROVAL: _____


E-BOX
 101 Air Park Industrial Road
 Alabaster, Alabama 35007 
 Phone: (205)663-9189
 Fax: (205)663-9587