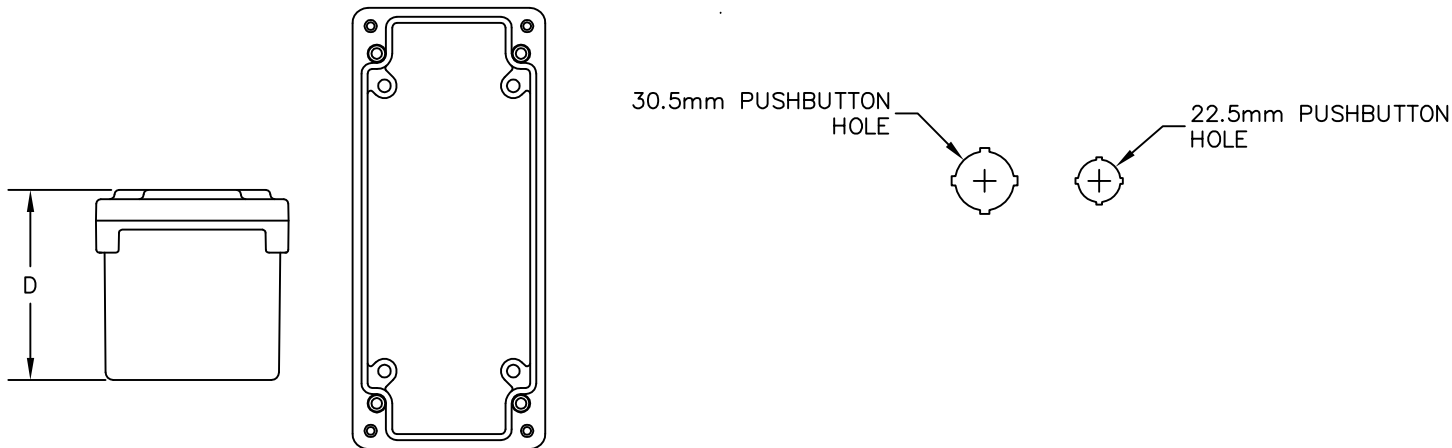


NON-METALLIC TYPE 4X PUSH BUTTON ENCLOSURES



TOP VIEW WITH COVER REMOVED

CONSTRUCTION:
 -RUGGED, MOLDED FIBERGLASS REINFORCED POLYESTER CONSTRUCTION WITH REINFORCED CORNERS.
 -AVAILABLE WITH EITHER 30.5MM OR 22.5MM HOLES
 -CAPTIVE STAINLESS STEEL COVER SCREWS.
 -"TONGUE AND GROOVE" TYPE CLOSED-CELL NEOPRENE GASKET.
 -UV STABILIZED MATERIAL FOR OUTDOOR USE.

CATALOG#	H	W	D
N1PB	6.74	3.93	3.88
N2PB	6.74	3.93	3.88
N3PB	8.99	3.93	3.88

APPROVAL:



E-BOX
 101 Air Park Industrial Road
 Alabaster, Alabama 35007
 Phone: (205)663-9189
 Fax: (205)663-9587



