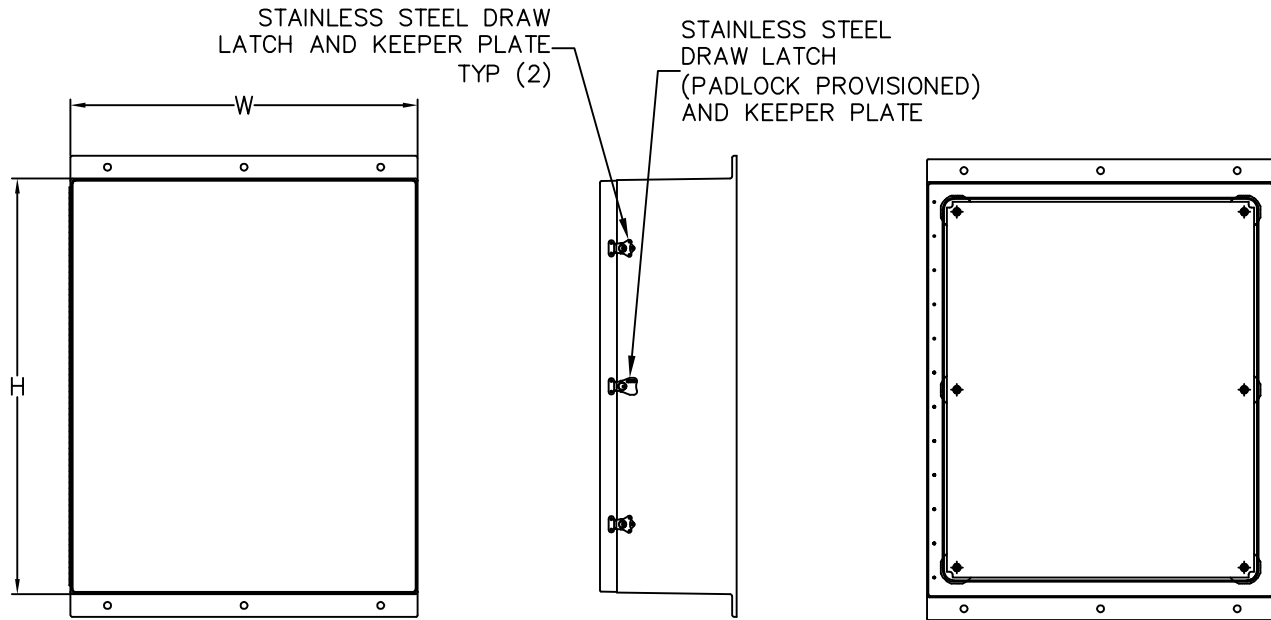
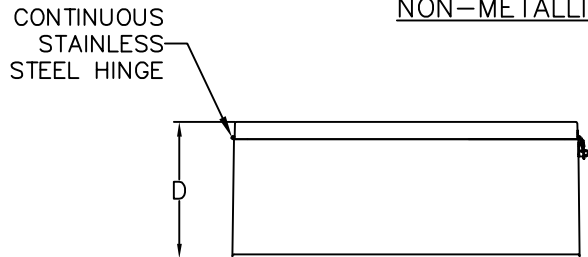


CATALOG#: NQR



TOP VIEW WITH LID & GASKET REMOVED

NON-METALLIC TYPE 4X HINGED WITH TWIST LATCH



CONSTRUCTION:

- STRONG MOLDED FIBERGLASS REINFORCED POLYESTER CONSTRUCTION WITH MATCHING COVER FOR ADDITIONAL DEPTH.
- STAINLESS STEEL TWIST LATCHES FEATURE PADLOCK HASP.
- CONTINUOUS STAINLESS STEEL HINGE.
- GASKET MATERIAL MADE OF CLOSED-CELL NEOPRENE CORD.
- STAINLESS STEEL WALL MOUNTING HARDWARE WITH 10-32 STAINLESS STEEL SCREWS INCLUDED.
- 10-32 THREADED INSERTS ARE INSTALLED FOR OPTIONAL BACK PANEL OR TERMINAL KITS.
- FIBERGLASS MATERIAL IS EASILY PUNCHED, DRILLED, OR SAWED.
- UV STABILIZED MATERIAL FOR OUTDOOR USE.

| CATALOG#  | -H-   | -W-   | -D- |
|-----------|-------|-------|-----|
| NQR363012 | 36.25 | 30.25 | 12  |
| NQR363016 | 36.25 | 30.25 | 16  |
| NQR363612 | 36.25 | 36.25 | 12  |
| NQR363616 | 36.25 | 36.25 | 16  |
| NQR483612 | 48.25 | 36.25 | 12  |
| NQR483616 | 48.25 | 36.25 | 16  |
| NQR603612 | 60.25 | 36.25 | 12  |
| NQR603616 | 60.25 | 36.25 | 16  |

APPROVAL: \_\_\_\_\_



E-BOX  
 101 Air Park Industrial Road  
 Alabaster, Alabama 35007  
 Phone: (205)663-9189  
 Fax: (205)663-9587

