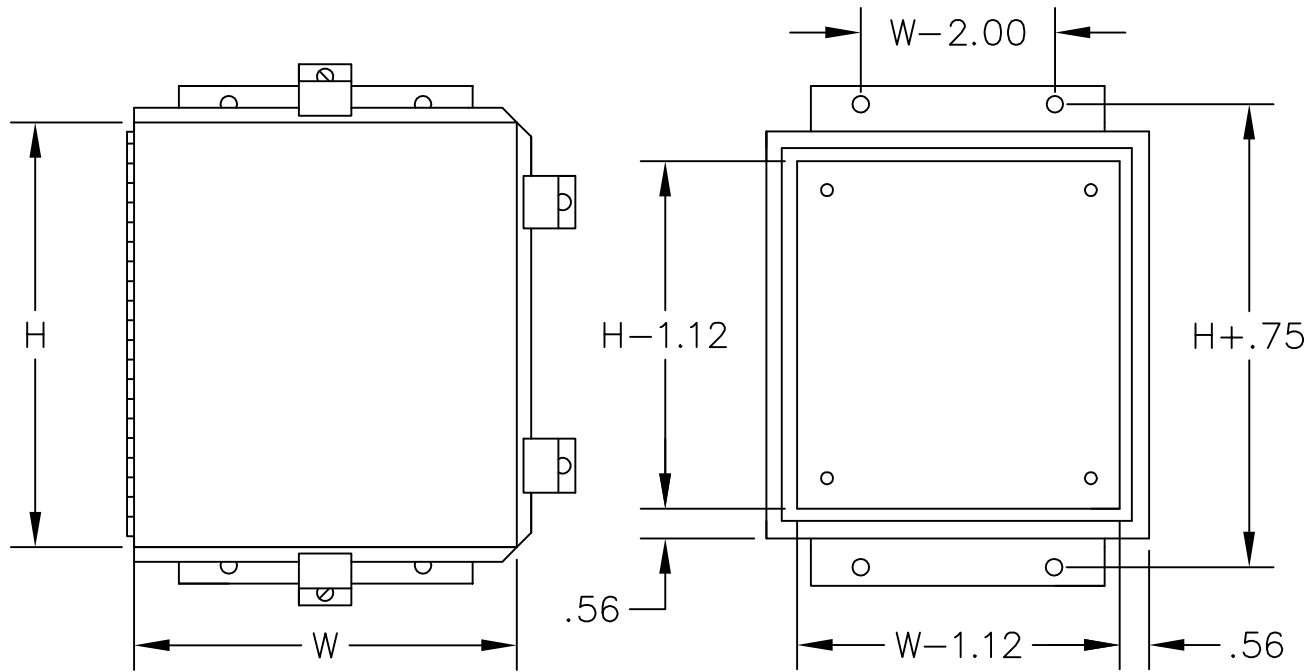
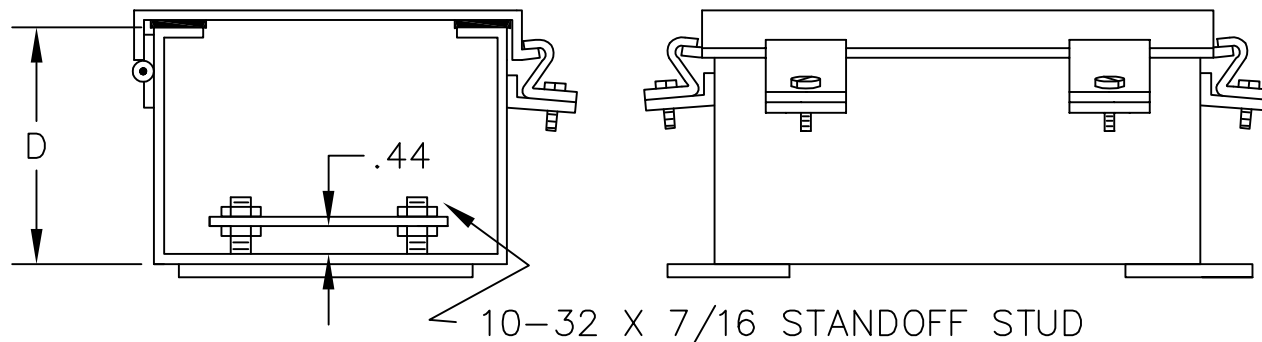


NOTE: MAXIMUM SPACING BETWEEN CLAMPS IS 8.00.



STAINLESS STEEL JIC HINGE COVER TYPE 4X



CONSTRUCTION:
 -CODE GAUGE TYPE 304 STAINLESS STEEL.
 -SEAMS CONTINUOUSLY WELDED AND GROUND SMOOTH.
 -STAINLESS STEEL SCREWS AND CLAMPS ON THREE SIDES OF COVER ASSURE WATERTIGHT SEAL.
 -CONTINUOUS HINGE.
 -OIL-RESISTANT GASKET.
 -OPTIONAL PANEL.

FINISH:
 -ENCLOSURES ARE UNPAINTED AND HAVE A SMOOTH BRUSH FINISH.

H	W	D

APPROVAL: _____



E-BOX
 101 Air Park Industrial Road
 Alabaster, Alabama 35007
 Phone: (205)663-9189
 Fax: (205)663-9587

