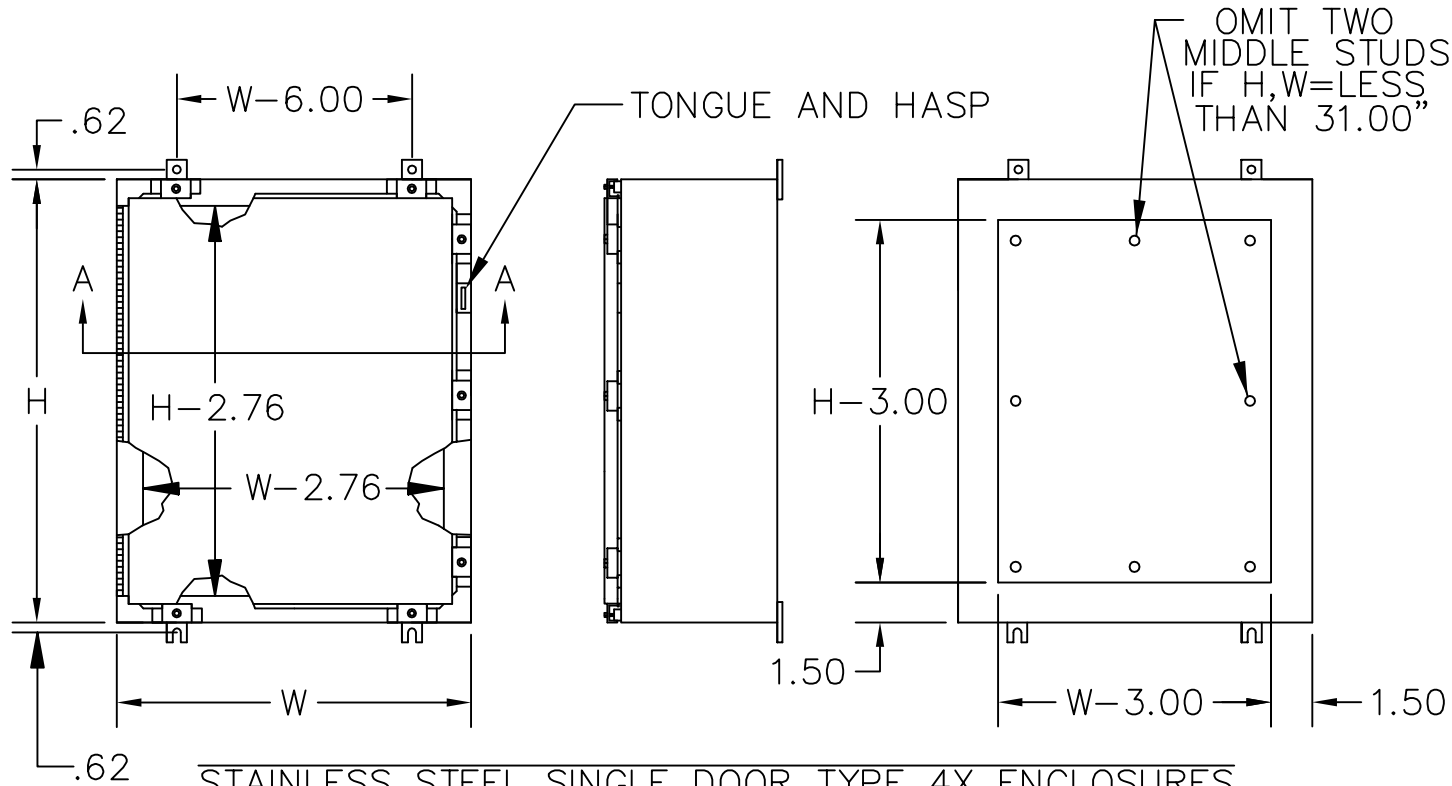
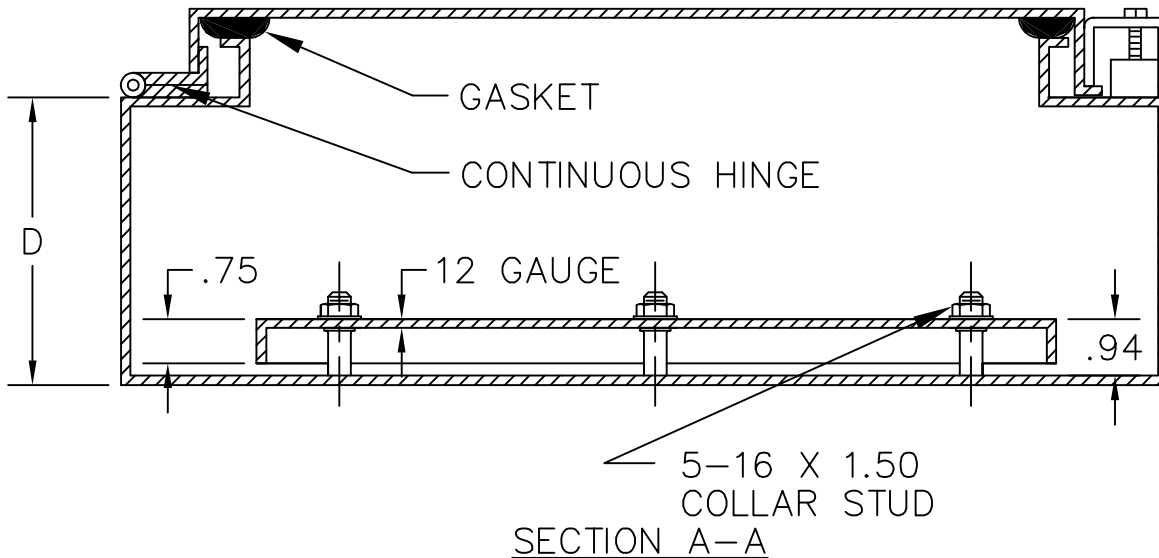


NOTE: MAXIMUM SPACING BETWEEN DOOR CLAMPS ARE 15.00 INCHES.



STAINLESS STEEL SINGLE DOOR TYPE 4X ENCLOSURES



CONSTRUCTION:
 - CODE GAUGE TYPE 304 STAINLESS STEEL.
 - SEAMS CONTINUOUSLY WELDED AND GROUND SMOOTH.
 - STAINLESS STEEL SCREWS AND CLAMPS ON THREE SIDES OF COVER ASSURE WATERTIGHT SEAL.
 - STAINLESS STEEL CONTINUOUS HINGE.
 - OIL-RESISTANT GASKET.
 - TONGUE AND HASP FOR PADLOCKING.
 - STUDS PROVIDED FOR MOUNTING OPTIONAL PANEL.

FINISH:
 - ENCLOSURES ARE UNPAINTED AND HAVE A NUMBER 3 SMOOTH BRUSH FINISH.

-H-	-W-	-D-

APPROVAL: _____



E-BOX
 101 Air Park Industrial Road
 Alabaster, Alabama 35007
 Phone: (205)663-9189
 Fax: (205)663-9587

